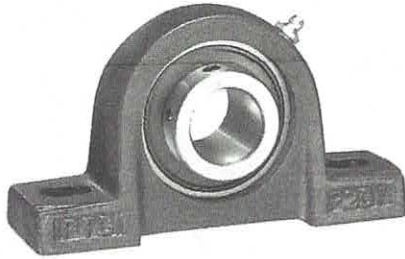


# UCP PILLOW BLOCKS



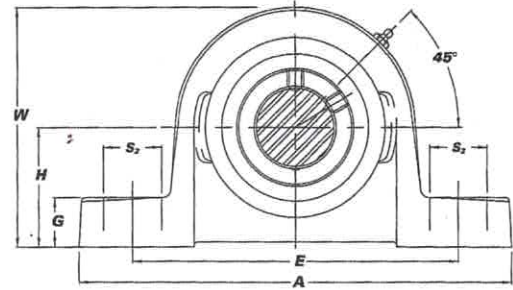
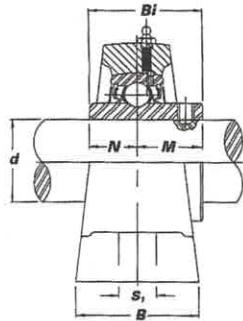
## Seal Options



\*Call for speed tolerances and available sizes

## High shaft height with set screw lock.

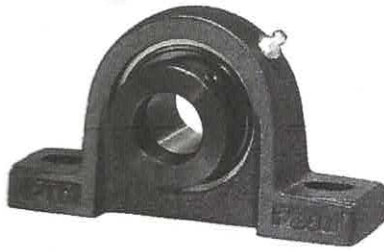
- » Cast iron housing
- » Wide inner race bearing
- » Available with high temp. bearings - See page 46



Unit No.	Shaft Dia.		Dimensions (in./mm)										Bolt Used (in.)	Bearing No.	Housing No.	Weight (lbs.)			
	d (in.)	d (mm)	H	A	E	B	S <sub>2</sub>	S <sub>1</sub>	G	W	Bi	N					M		
UCP 201		12															UCW 201		
201-8	1/2	15	1 3/16	4 7/8	3 5/8	1 7/16	3/4	7/16	1 17/32	2 23/64	1.0236	0.3937	0.6299	3/8			201-8		
202			30.2	124	92	37	19	11	13	60	26.0	10.0	16.0				202	P 203	1.5
202-10	5/8	17															202-10		
203																	203		
UCP 204-12	3/4	20	1 9/16	5	3 3/4	1 1/2	1 1/16	7/16	9/16	2 19/32	1.2205	0.5000	0.7205	3/8			UC 204-12	P 204	1.6
204			33.3	127	95	38	17	11	14	66	31.0	12.7	18.3				204		
UCP 205-14	7/8	25	1 7/16	5 1/2	4 1/8	1 1/2	1 1/16	1/2	5/8	2 27/32	1.3386	0.5630	0.7756	3/8			UC 205-14	P 205	2.0
205-15	1 5/16																205-15		
205			36.5	140	105	38	17	13	16	72	34.0	14.3	19.7				205		
205-16	1																205-16		
UCP 206-17	1 1/16	30	1 11/16*	6 5/16	4 3/4	1 3/4	1 3/16	9/16	1 1/16	3 19/64	1.5000	0.6260	0.8740	1/2			UC 206-17	P 206	3.0
206-18	1 1/8		42.9	160	121	44	21	14	18	84	38.1	15.9	22.2				206-18		
206																	206		
206-19	1 3/16																206-19		
206-20	1 1/4 S																206-20		
UCP 207-20	1 1/4	35	1 7/8	6 17/32	5	2 29/32	7/8	9/16	3/4	3 11/16	1.6890	0.6890	1.0000	1/2			UC 207-20	P 207	4.0
207-21	1 5/16		47.6	166	127	48	22	14	19	94	42.9	17.5	25.4				207-21		
207-22	1 3/8																207-22		
207																	207		
207-23	1 7/16																207-23		
UCP 208-24	1 1/2	40	1 15/16**	7 1/8	5 7/16	2	7/8	9/16	1 3/16	4	1.9370	0.7480	1.1890	1/2			UC 208-24	P 208	5.0
208-25	1 9/16		49.2	181	137	51	22	14	21	102	49.2	19.0	30.2				208-25		
208																	208		
UCP 209-26	1 5/8	45	2 1/8	7 1/2	5 3/4	2 1/8	1 3/16	1 13/32	7/8	4 17/64	1.9370	0.7480	1.1890	1/2			UC 209-26	P 209	5.7
209-27	1 11/16		54.0	190	146	54	21	15	22	109	49.2	19.0	30.2				209-27		
209-28	1 3/4																209-28		
209																	209		
UCP 210-30	1 7/8	50	2 1/4	8	6 1/4	2 1/4	1 5/16	2 3/32	1 5/16	4 33/64	2.0315	0.7480	1.2835	5/8			UC 210-30	P 210	6.8
210-31	1 15/16		57.2	203	159	57	24	18	24	115	51.6	19.0	32.6				210-31		
210																	210		
210-32	2 S																210-32		
UCP 211-32	2	55	2 1/2	8 5/8	6 7/8	2 3/8	1 5/16	2 3/32	1 1/16	5 1/32	2.1890	0.8740	1.3150	5/8			UC 211-32	P 211	8.8
211-34	2 1/8		63.5	220	174	60	24	18	27	128	55.6	22.2	33.4				211-34		
211																	211		
211-35	2 3/16																211-35		
UCP 212-36	2 1/4	60	2 3/4	9 17/32	7 11/32	2 1/2	1	2 5/32	1 1/16	5 33/64	2.5630	1.0000	1.5630	5/8			UC 212-36	P 212	11.2
212			69.8	242	187	64	25.4	20	27	140	65.1	25.4	39.7				212		
212-38	2 3/8																212-38		
212-39	2 1/16																212-39		
UCP 213-40	2 1/2	65	3	10 3/4	8 1/8	2 11/16	1 3/16	1 13/16	1 1/8	6 1/32	2.5630	1.0000	1.5630	5/8			UC 213-40	PX12	14.1
213			76.2	273	206	68	30	20	28	153	65.1	25.4	39.7				213		
UCP 214-43	2 11/16	70	3	10 3/4	8 1/8	2 1/2	1 13/16	1 13/16	1 1/8	6 1/32	2.9370	1.1890	1.7480	5/8			UC 214-43	PX13	14.5
214-44	2 3/4		76.2	273	206	64	30	20	28	153	74.6	30.2	44.4				214-44		
214																	214		
UCP 215-47	2 5/8	75	3 1/4	10 13/16	8 1/2	2 15/16	1 1/4	1	1 1/8	6 33/64	3.0630	1.3110	1.7520	7/8			UC 215-47	P 215	17.0
215			82.6	275	217	75	31	25.4	29	166	77.8	33.3	44.5				215		
215-48	3																215-48		

Interchange Page 95 \*Also available 1 3/8" \*\*Also available 2 1/8"

# NAP PILLOW BLOCKS



## Seal Options



B-type

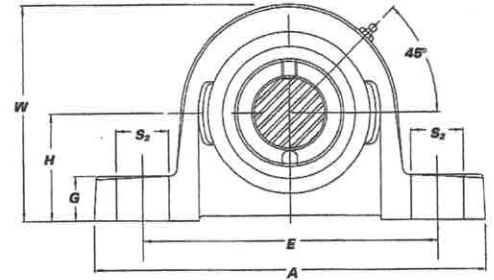
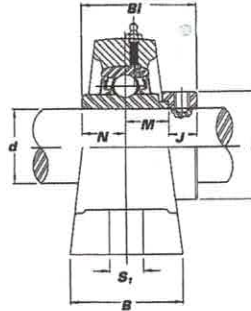


L3-type\*

\*Call for speed tolerances and available sizes

## High shaft height with eccentric locking collar.

- » Cast iron housing
- » Wide inner race bearing



Unit No.	Shaft Dia		Dimensions (in./mm)											Bolt Used (in.)	Bearing No.	Housing No.	Weight (lbs.)		
	d (in.)	d (mm)	H	A	E	B	S <sub>2</sub>	S <sub>1</sub>	G	W	Bi	N	M					J	K
NAP 201		12															NAW201		
201-8	1/2																201-8		
202		15	1 1/16	4 7/8	3 3/8	1 7/16	3/4	7/16	1 7/32	2 23/64	1.4685	0.5472	0.5472	0.3740	1.1260	3/8	202	P 203	1.6
202-10	5/8		30.2	124	92	37	19	11	13	60	37.3	13.9	13.9	9.5	28.6		202-10		
203		17															203		
NAP 204-12	3/4																NA 204-12	P 204	1.7
204		20	1 5/16	5	3 3/4	1 1/2	1 1/8	7/16	9/16	2 19/32	1.7126	0.6693	0.6693	0.3740	1.3110	3/8	204		
NAP 205-14	7/8																NA 205-14		
205-15	1 1/16																205-15	P 205	2.1
205		25	1 7/16	5 1/2	4 1/8	1 1/2	1 1/8	1/2	5/8	2 27/32	1.7441	0.6850	0.6850	0.3740	1.5000	3/8	205		
205-16	1		36.5	140	105	38	17	13	16	72	44.3	17.4	17.4	9.5	38.1		205-16		
NAP 206-17	1 1/16																NA 206-17		
206-18	1 1/8																206-18	P 206	3.1
206		30	1 11/16*	6 5/8	4 3/4	1 3/4	1 3/16	9/16	1 1/16	3 19/64	1.9016	0.7165	0.7165	0.4685	1.7520	1/2	206		
206-19	1 3/16		42.9	160	121	44	21	14	18	84	48.3	18.2	18.2	11.9	44.5		206-19		
206-20	1 1/4 S																206-20		
NAP 207-20	1 1/4																NA 207-20		
207-21	1 5/16																207-21	P 207	4.2
207-22	1 3/8																207-22		
207		35	1 7/8	6 17/32	5	1 29/32	7/8	9/16	3/4	3 11/16	2.0118	0.7402	0.7402	0.5315	2.1890	1/2	207		
207-23	1 7/16		47.6	166	127	48	22	14	19	94	51.1	18.8	18.8	13.5	55.6		207-23		
NAP 208-24	1 1/2																NA 208-24		
208-25	1 9/16																208-25	P 208	5.3
208		40	1 15/16**	7 1/8	5 7/16	2	7/8	9/16	1 3/16	4	2.2165	0.8425	0.8425	0.5315	2.3740	1/2	208		
NAP 209-26	1 5/8																NA 209-26		
209-27	1 11/16																209-27	P 209	6.1
209-28	1 3/4																209-28		
209		45	2 1/8	7 1/2	5 3/4	2 1/8	1 3/16	1 5/32	7/8	4 17/64	2.2165	0.8425	0.8425	0.5315	2.5000	1/2	209		
NAP 210-30	1 7/8																NA 210-30		
210-31	1 15/16																210-31	P 210	7.2
210		50	2 1/4	8	6 1/4	2 1/4	1 5/16 <sup>c</sup>	2 3/32	1 5/16	4 33/64	2.4685	0.9685	0.9685	0.5315	2.7520	5/8	210		
210-32	2 S		57.2	203	159	57	24	18	24	115	62.7	24.6	24.6	13.5	69.9		210-32		
NAP 211-32	2																NA 211-32		
211-34	2 1/8																211-34	P 211	9.4
211		55	2 1/2	8 5/8	6 7/8	2 3/8	1 5/16	2 3/32	1 1/16	5 1/32	2.8110	1.0905	1.0905	0.6300	3.0000	5/8	211		
211-35	2 3/16		63.5	220	174	60	24	18	27	128	71.4	27.7	27.7	16.0	76.2		211-35		
NAP 212-36	2 1/4																NA 212-36		
212		60	2 3/4	9 17/32	7 11/32	2 1/2	1	2 5/32	1 1/16	5 33/64	3.0630	1.2165	1.2165	0.6300	3.3150	5/8	212	P 212	11.9
212-38	2 3/8		69.8	242	187	64	25.4	20	27	140	77.8	30.9	30.9	16.0	84.2		212-38		
212-39	2 7/16																212-39		
NAP 213-40	2 1/2																NA 213-40	P 213	14.0
213		65	3	10 3/4	8 1/8	2 11/16	1 3/16	1 3/16	1 1/8	6 1/32	3.3740	1.3425	1.3425	0.6890	3.3858	7/8	213		
NAP 215-47	2 5/16																NA 215-47		
215		75	3 1/4	10 13/16	8 1/2	2 15/16	1 1/4	1	1 1/8	6 33/64	3.6260	1.4685	1.4685	0.6890	4.0157	7/8	215	P 215	18.3
215-48	3		82.6	275	217	75	31	25.4	29	166	92.1	37.3	37.3	17.5	102.0		215-48		

Interchange Page 95

\*Also available 1 5/8"

\*\*Also available 2 1/8"

# UCPX PILLOW BLOCKS

MEDIUM DUTY



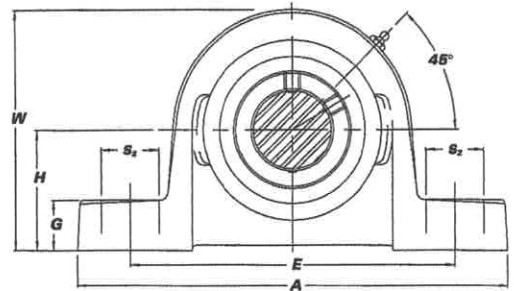
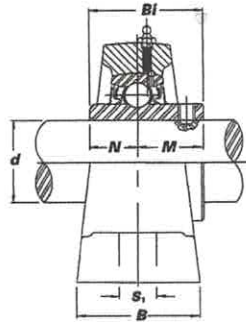
### Seal Options



\*Call for speed tolerances and available sizes

### Set screw lock.

- » Wide inner race bearing with greater load carrying capacity than standard duty
- » Cast iron housing



Unit No.	Shaft Dia.		Dimensions (in.) (mm)											Bolt Used (in.)	Bearing No.	Housing No.	Weight (lbs.)
	d (in.)	d (mm)	H	A	E	B	S <sub>2</sub>	S <sub>1</sub>	G	W	Bi	N	M				
UCP X05-14 X05-15 X05 X05-16	7/8 15/16 1	25	1 11/16 42.9	6 5/16 160	4 3/4 121	1 3/4 44	1 3/16 21	9/16 14.2	1 1/16 18	3 19/64 83.7	1.5000 38.1	0.6260 15.9	0.8740 22.2	1/2	UC X05-14 X05-15 X05 X05-16	P X05	3.5
UCP X06-18 X06 X06-19 X06-20	1 1/8 1 3/16 1 1/4	30	1 7/8 47.6	6 17/32 165.9	5 127	1 29/32 48.5	7/8 22.4	9/16 14.2	3/4 19.1	3 11/16 93.7	1.6890 42.9	0.6890 17.5	1.0000 25.4	1/2	UC X06-18 X06 X06-19 207-20	P X06	4.6
UCP X07-22 X07 X07-23	1 3/8 1 7/16	35	2 1/8 54.0	7 1/4 184.2	5 17/32 140.5	1 15/16 49.2	15/16 23.8	9/16 14.2	1 3/16 20.6	4 3/16 106.4	1.9370 49.2	0.7480 19.0	1.1890 30.2	1/2	UC X07-22 X07 X07-23	P X07	6.0
UCP X08-24 X08	1 1/2	40	2 1/8 54.0	7 1/2 190.5	5 3/4 146.1	2 1/8 54.1	1 13/16 20.6	1 13/16 15	7/8 22.3	4 17/64 108.3	1.9370 49.2	0.7480 19.0	1.1890 30.2	1/2	UC X08-24 X08	P X08	7.7
UCP X09-26 X09-27 X09-28 X09	1 5/8 1 11/16 1 3/4	45	2 1/4 57.2	8 203.2	6 1/4 158.8	2 1/4 57.2	1 5/16 23.8	2 3/32 18.3	1 5/16 23.8	4 33/64 114.7	2.0315 51.6	0.7480 19.0	1.2835 32.6	5/8	UC X09-26 X09-27 X09-28 X09	P X09	8.2
UCP X10-30 X10-31 X10 X10-32	1 7/8 1 15/16 2	50	2 1/2 63.5	8 5/8 219.2	6 7/8 174.8	2 3/8 60.5	1 5/16 23.8	2 3/32 18.3	1 1/16 26.9	5 1/32 127.8	2.1890 55.6	0.8740 22.2	1.3150 33.4	5/8	UC X10-30 X10-31 X10 211-32	P X10	10.1
UCP X11-34 X11 X11-35 X11-36	2 1/8 2 3/16 2 1/4	55	2 3/4 69.8	9 17/32 242.1	7 11/32 186.4	2 1/2 63.5	1 25.4	2 3/32 19.8	1 1/16 26.9	5 33/64 140.1	2.5630 65.1	1.0000 25.4	1.5630 39.7	5/8	UC X11-34 X11 X11-35 212-36	P X11	14.1
UCP X12 X12-38 X12-39	2 3/8 2 7/16	60	3 76.2	10 3/4 273.1	8 1/8 206.4	2 11/16 68.3	1 3/16 30.2	1 3/16 20.4	1 1/8 28.6	5 63/64 152	2.5630 65.1	1.0000 25.4	1.5630 39.7	5/8	UC X12 X12-38 X12-39	P X12	17.0
UCP X13-40 X13	2 1/2	65	3 76.2	10 3/4 273.1	8 1/8 206.4	2 11/16 68.3	1 3/16 30.2	1 3/16 20.4	1 1/8 28.6	5 63/64 152	2.9370 74.6	1.1890 30.2	1.7480 44.4	5/8	UC X13-40 X13	P X13	17.3
UCP X14-43 X14-44 X14	2 11/16 2 3/4	70	3 1/2 88.9	13 330	9 229	3 1/2 89	2 51	1 11/16 27	1 3/8 35	6 25/32 172	3.0630 77.8	1.3110 33.3	1.7520 44.5	7/8	UC X14-43 X14-44 X14	P X14	24.5
UCP X15 X15-47 X15-48	2 15/16 3	75	3 1/2 88.9	11 3/4 298.5	9 1/8 231.8	3 76.2	1 17/16 36.5	1 25.4	1 3/8 35	7 1/32 178.6	3.2520 82.6	1.3110 33.3	1.9410 49.3	7/8	UC X15 X15-47 X15-48	P X15	23.6
UCP X17 X17-55 X17-56	3 7/16 3 1/2	85	4 101.6	14 355.6	11 1/16 281	3 3/8 85.7	1 13/16 46	1 25.4	1 9/16 40	8 203.2	3.7795 96.0	1.5630 39.7	2.2165 56.3	7/8	UC X17 X17-55 X17-56	P X17	35.7
UCP X20 X20-63 X20-64	3 15/16 4	100	5 127.0	17 432	13 1/4 337	4 102	2 51	1.13 29	1 13/16 46	9 27/32 250	4.8260 117.5	1.9370 49.2	2.6890 68.3	1	UC X20 X20-63 X20-64	P X20	66.8

Interchange Page 95

# UCF 4-BOLT FLANGE UNITS



### Seal Options



B-type

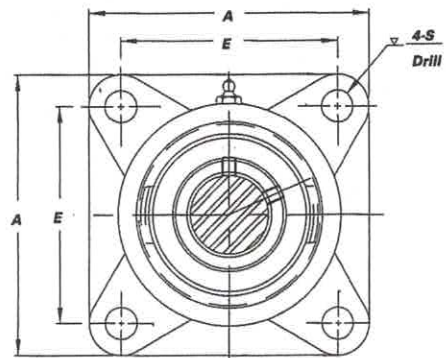
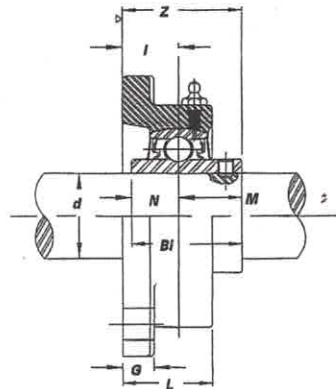


L3-type\*

\*Call for speed tolerances and available sizes

### Set screw lock.

- » Cast iron housing
- » Wide inner race bearing
- » Available with high temp. bearing - See page 46



Unit No.	Shaft Dia.		Dimensions (in.) (mm)									Bolt Used (in.)	Bearing No.	Housing No.	Weight (lbs.)	
	d (in.)	d (mm)	A	E	I	G	L	S	Z	Bi	N					M
UCF 201		12														UCW 201
201-8	1/2	12	3	2 1/8	2 1/32	9/8	1 3/32	7/16	1 3/32	1.0236	0.3937	0.6299	3/8	201-8		1.2
202		15	76	54	16.7	10	28	11	32.7	26.0	10.0	16.0	202	F 203		
202-10	5/8	17												202-10		
203		17												203		
UCF 204-12	3/4	20	86	64	15	11	25.4	11	33.3	31.0	12.7	18.3	3/8	UC 204-12	F 204	1.4
204		20												204		
UCF 205-14	7/8	25	95	70	16	13	27	11.5	35.7	34.0	14.3	19.7	3/8	UC 205-14	F 205	1.9
205-15	15/16													205-15		
205		25												205		
205-16	1													205-16		
UCF 206-17	1 1/16	30	108	83	18	13	31	13	40.2	38.1	15.9	22.2	7/16	UC 206-17	F 206	2.4
206-18	1 1/8													206-18		
206		30												206		
206-19	1 3/16													206-19		
206-20	1 1/4S													206-20		
UCF 207-20	1 1/4	35	117	92	19	15	34	13	44.4	42.9	17.5	25.4	7/16	UC 207-20	F 207	3.3
207-21	1 5/16													207-21		
207-22	1 9/8													207-22		
207		35												207		
207-23	1 7/16													207-23		
UCF 208-24	1 1/2	40	130	102	21	15	36	14	51.2	49.2	19.0	30.2	1/2	UC 208-24	F 208	4.2
208-25	1 9/16													208-25		
208		40												208		
UCF 209-26	1 3/8	45	137	105	22	16	38	16	52.2	49.2	19.0	30.2	9/16	UC 209-26	F 209	5.2
209-27	1 11/16													209-27		
209-28	1 3/4													209-28		
209		45												209		
UCF 210-30	1 7/8	50	143	111	22	16	40	16	54.6	51.6	19.0	32.6	9/16	UC 210-30	F 210	5.6
210-31	1 15/16													210-31		
210		50												210		
210-32	2S													210-32		
UCF 211-32	2	55	165	130	25	18	43	17	58.4	55.6	22.2	33.4	5/8	UC 211-32	F 211	7.7
211-34	2 1/8													211-34		
211		55												211		
211-35	2 3/16													211-35		
UCF 212-36	2 1/4	60	175	143	29	18	48	17	68.7	65.1	25.4	39.7	5/8	UC 212-36	F 212	9.4
212		60												212		
212-38	2 3/8													212-38		
212-39	2 1/2													212-39		
UCF 213-40	2 1/2	65	187	149	30	22	50	17	69.7	65.1	25.4	39.7	5/8	UC 213-40	F 213	12.9
213		65												213		
UCF 214-43	2 11/16	70	193	152	31	23	54	19	75.4	74.6	30.2	44.4	11/16	UC 214-43	F 214	13.9
214-44	2 3/4													214-44		
214		70												214		
UCF 215-47	2 15/16	75	200	159	34	22	56	19	78.5	77.8	33.3	44.5	11/16	UC 215-47	F 215	17.0
215		75												215		
215-48	3													215-48		

\*Also available as 6", where Z = 3 3/8" — specify UCNF. Interchange Page 95

# NANF 4-BOLT FLANGE UNITS



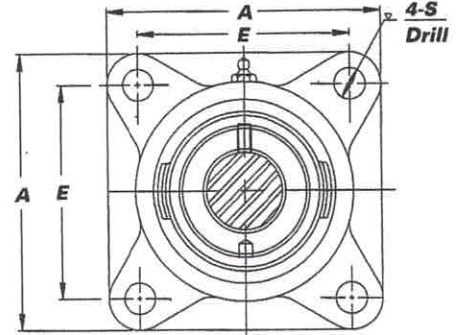
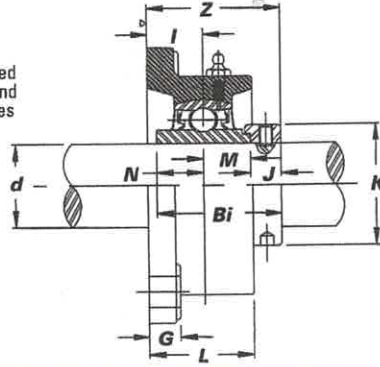
### Seal Options



\*Call for speed tolerances and available sizes

### Eccentric locking collar.

- » Cast iron housing
- » Wide inner race bearing



Unit No.	Shaft Dia.		Dimensions (in.) (mm)											Bolt Used (in.)	Bearing No.	Housing No.	Weight (lbs.)				
	d (in.)	d (mm)	A	E	I	G	L	S	Z	Bi	N	M	J					K			
NANF 201		12																NAW 201			
201-8	1/2	15	3	2 1/8	2 1/32	3/8	1 3/32	7/16	1 37/64	1.4685	0.5472	0.5472	0.3740	1.1260	3/8	201-8					
202			76	54	16.7	10	28	11	40.1	37.3	13.9	13.9	9.5	28.6	3/8	202	F 203				1.3
202-10	5/8	17																			
203																					
NANF 204-12	3/4	20	3 3/8	2 1/2	3/4	1 9/32	1 5/32	7/8	1 25/32	1.7126	0.6693	0.6693	0.3740	1.3110	3/8	NA 204-12					
204			86	64	19	15	29.5	11	45.5	43.5	17.0	17.0	9.5	33.3	3/8	204	NF 204				1.8
NANF 205-14	7/8	25	3 3/4	2 3/4	25/32	1 9/32	1 7/32	23/64	1 21/32	1.7441	0.6850	0.6850	0.3740	1.5000	3/8	NA 205-14					
205-15	15/16		95	70	20	15	31	11.5	46.9	44.3	17.4	17.4	9.5	38.1	3/8	205-15					
205																205	NF 205				2.1
205-16	1															205-16					
NANF 206-17	1 1/16	30	4 1/4	3 1/4	53/64	5/8	1 31/32	33/64	2	1.9016	0.7165	0.7165	0.4685	1.7520	7/16	NA 206-17					
206-18	1 1/8		108	83	21	16	34	13	51.1	48.3	18.2	18.2	11.9	44.5	7/16	206-18					
206																206	NF 206				2.9
206-19	1 3/16															206-19					
206-20	1 1/4 S															206-20					
NANF 207-20	1 1/4	35	4 13/32	3 5/8	2 7/32	2 1/32	1 7/16	33/64	2 1/8	2.0118	0.7402	0.7402	0.5315	2.1890	7/16	NA 207-20					
207-21	1 5/8		117	92	21.5	17	36.5	13	53.8	51.1	18.8	18.8	13.5	55.6	7/16	207-21					
207-22	1 5/8															207-22					
207																207	NF 207				3.9
207-23	1 7/16															207-23					
NANF 208-24	1 1/2	40	5 1/8	4	1 5/16	2 1/32	1 11/32	35/64	2 5/16	2.2165	0.8425	0.8425	0.5315	2.3740	1/2	NA 208-24					
208-25	1 9/16		130	102	24	17	39	14	58.9	56.3	21.4	21.4	13.5	60.3	1/2	208-25					
208																208	NF 208				4.9
NANF 209-26	1 5/8	45	5 13/32	4 1/8	1 5/16	2 3/32	1 9/16	5/8	2 5/16	2.2165	0.8425	0.8425	0.5315	2.5000	5/16	NA 209-26					
209-27	1 11/16		137	105	24	18	40	16	58.9	56.3	21.4	21.4	13.5	63.5	5/16	209-27					
209-28	1 3/4															209-28					
209																209	NF 209				5.7
NANF 210-30	1 7/8	50	5 5/8	4 3/8	1 1/8	2 5/32	1 27/32	5/8	2 5/8	2.4685	0.9685	0.9685	0.5315	2.7520	9/16	NA 210-30					
210-31	1 15/16		143	111	28.5	20	46.5	16	66.6	62.7	24.6	24.6	13.5	69.9	9/16	210-31					
210																210	NF 210				6.5
210-32	2 S															210-32					
NANF 211-32	2	55	6 7/8	5 1/2	1 17/64	1 3/16	1 21/32	43/64	2 31/32	2.8110	1.0906	1.0906	0.8299	3.0000	5/8	NA 211-32					
211-34	2 1/8		162	130	32	21	50	17	75.7	71.4	27.7	27.7	16.0	76.2	5/8	211-34					
211																211	NF 211				9.0
211-35	2 3/16															211-35					
NANF 212-36	2 1/4	60	6 7/8	5 5/8	1 27/64	1 3/16	2 5/32	43/64	3 1/4	3.0630	1.2165	1.2165	0.6299	3.3150	5/8	NA 212-36					
212			175	143	36	21	55	17	82.9	77.8	30.9	30.9	16.0	84.2	5/8	212					
212-38	2 3/8															212-38					
212-39	2 1/2															212-39	NF 212				10.8
NANF 213-40	2 1/2	65	7 3/8	5 7/8	1 1/2	7/8	2 5/16	2 5/32	3 17/32	3.3740	1.3425	1.3425	0.6890	3.3858	3/4	NA 213-40					
213			187	149	38	22	59	20	90	85.7	34.1	34.1	17.5	86.0	3/4	213	NF 213				13.2
NANF 215-47	2 15/16	75	7 3/4	6	1 5/8	7/8	2 17/64	2 5/32	3 25/32	3.6260	1.4685	1.4685	0.6890	4.0157	3/4	NA 215-47					
215			197	152	42	22	61	20	96	92.0	37.3	37.3	17.5	102.0	3/4	215	NF 215				16.0
215-48	3															215-48					

Interchange Page 95

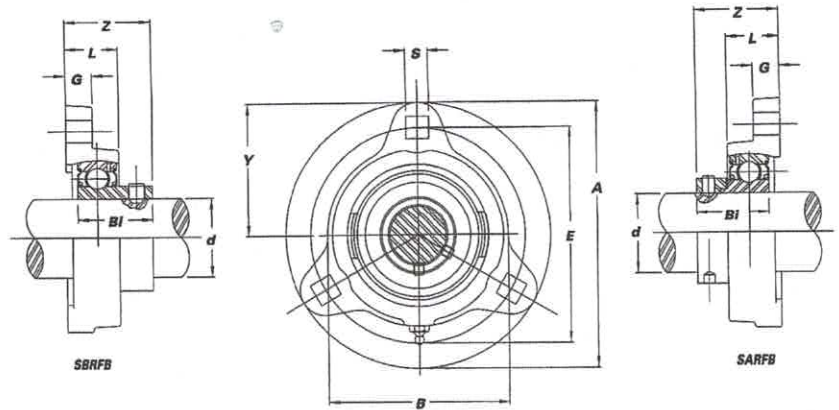
# SBRFB & SARFB 3-BOLT FLANGE UNITS



## Seal Options



- » Ductile iron housing
- » Narrow inner race bearing



### SBRFB Set screw type

Unit No.	Shaft Dia.		Dimensions (in.) (mm)									Bolt Used (in)	Bearing No.	Housing No.	Weight (lbs.)
	d (in.)	d (mm)	A	E	G	B	L	S	Z	Bi	Y				
SBRFB 204-12 204	3/4	20	39/16 90	213/16 71.4	7/16 11	25/8 67	25/32 20	11/32 9	15/16 29.4	0.9843 25.0	125/32 45	5/16	SB 204-12G 204G	RFB 204	.8
SBRFB 205-14 205	7/8	25	33/4 95	3 76.2	7/16 11	27/8 73	25/32 20	11/32 9	17/32 31.0	1.0630 27.0	17/8 48	5/16	SB 205-14G 205G	RFB 205	.9
SBRFB 205-15 205-16	15/16 1												SB 205-15G 205-16G		
SBRFB 206-17 206-18 206	11/16 15/16	30	47/16 113	39/16 90.5	15/32 12	3 76	57/64 23	13/32 10	15/16 33.3	1.1811 30.0	27/32 56	3/8	SB 206-17G 206-18G 206G	RFB 206	1.2
SBRFB 206-19 206-20	13/16 15/16S												SB 206-19G 206-20G		
SBRFB 207-20 207-21 207-22 207	15/16 13/8	35	413/16 122	315/16 100	1/2 13	31/2 89	15/16 24	13/32 10	17/16 36.5	1.2992 33.0	213/32 61	3/8	SB 207-20G 207-21G 207-22G 207G	RFB 207	1.7
SBRFB 207-23	17/16												207-23G		

### SARFB Eccentric locking collar type

Unit No.	Shaft Dia.		Dimensions (in.) (mm)									Bolt Used (in)	Bearing No.	Housing No.	Weight (lbs.)
	d (in.)	d (mm)	A	E	G	B	L	S	Z	Bi	Y				
SARFB 204-12 204	3/4	20	39/16 90	213/16 71.4	7/16 11	25/8 67	25/32 20	11/32 9	15/16 33.3	1.2205 31.0	125/32 45	5/16	SA 204-12G 204G	RFB 204	.9
SARFB 205-14 205	7/8	25	33/4 95	3 76.2	7/16 11	27/8 73	25/32 20	11/32 9	15/8 34.9	1.2205 31.0	17/8 48	5/16	SA 205-14G 205G	RFB 205	1.0
SARFB 205-15 205-16	15/16 1												SA 205-15G 205-16G		
SARFB 206-17 206-18 206	11/16 15/16	30	47/16 113	39/16 90.5	15/32 12	3 76	57/64 23	13/32 10	117/32 38.9	1.4055 35.7	27/32 56	3/8	SA 206-17G 206-18G 206G	RFB 206	1.3
SARFB 206-19 206-20	13/16 15/16S												SA 206-19G 206-20G		
SARFB 207-20 207-21 207-22 207	15/16 13/8	35	413/16 122	315/16 100	1/2 13	31/2 89	15/16 24	13/32 10	121/32 42.1	1.5315 38.9	213/32 61	3/8	SA 207-20G 207-21G 207-22G 207G	RFB 207	2.0
SARFB 207-23	17/16												207-23G		

Interchange Page 95

# UCFL 2-BOLT FLANGE UNITS



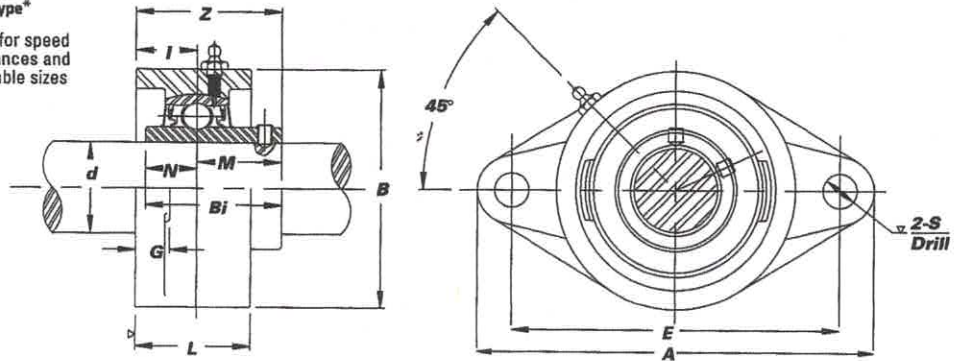
## Seal Options



\*Call for speed tolerances and available sizes

## Set screw lock.

- » Cast iron housing
- » Wide inner race bearing
- » Available with high temp. bearing - See page 46



Unit No.	Shaft Dia.		Dimensions (in.) (mm)										Bolt Used (in.)	Bearing No.	Housing No.	Weight (lbs.)		
	d (in.)	d (mm)	A	E	I	G	L	S	B	Z	Bi	N					M	
UCFL 201		12																
201-8	1/2																	
202		15	4 13/32	3	43/64	7/16	31/32	25/64	23/8	15/16	1.0236	0.3937	0.6299					
202-10	5/8		112	76.2	17	11	25	10	60	33.3	26.0	10.0	16.0	9/16				
203		17																
UCFL 204-12	3/4																	
204		20	47/16	3 17/32	19/32	7/16	1	25/64	23/8	15/16	1.2205	0.5000	0.7205					
UCFL 205-14	7/8																	
205-15	15/16																	
205		25	5 1/8	3 57/64	5/8	1/2	1 1/16	15/32	2 11/16	1 15/32	1.3386	0.5630	0.7756	3/8				
205-16	1		130	98.8	16	13	27	11.9	68	37.3	34.0	14.3	19.7					
UCFL 206-17	1 1/16																	
206-18	1 1/8																	
206		30	5 13/16	4 19/32	45/64	1/2	1 7/32	15/32	3 5/32	1 19/32	1.5000	0.6260	0.8740	3/8				
206-19	1 3/16		148	116.7	18	13	31	11.9	80	40.5	38.1	15.9	22.2					
206-20	1 1/4S																	
UCFL 207-20	1 1/4																	
207-21	1 3/16																	
207-22	1 3/8																	
207		35	6 11/32	5 1/8	3/4	9/16	1 11/32	23/64	3 17/32	1 3/4	1.6890	0.6890	1.0000	7/16				
207-23	1 7/16		161	130.2	19	14	34	13	90	44.5	42.9	17.5	25.4					
UCFL 208-24	1 1/2																	
208-25	1 9/16																	
208		40	6 7/8	5 21/32	53/64	9/16	1 13/32	23/64	3 15/16	2	1.9370	0.7480	1.1890	7/16				
UCFL 209-26	1 5/8																	
209-27	1 11/16																	
209-28	1 3/4																	
209		45	7 13/32	5 27/32	55/64	19/32	1 1/2	19/32	4 1/4	2 1/16	1.9370	0.7480	1.1890	1/2				
UCFL 210-30	1 7/8																	
210-31	1 15/16																	
210		50	7 3/4	6 9/16	59/64	19/32	1 9/16	5/8	4 17/32	2 5/32	2.0315	0.7480	1.2835	1/2				
210-32	2S		197	157	22	15	40	16	115	54.8	51.6	19.0	32.6					
UCFL 211-32	2																	
211-34	2 1/8																	
211		55	8 13/16	7 1/4	63/64	23/32	1 11/16	4 1/64	5 1/8	2 5/16	2.1890	0.8740	1.3150	9/16				
211-35	2 3/16		224	184	25	18	43	16.3	130	58.7	55.6	22.2	33.4					
UCFL 212-36	2 1/4																	
212		60	9 27/32	7 15/16	1 9/64	23/32	1 7/8	4 1/64	5 1/2	2 23/32	2.5630	1.0000	1.5630	9/16				
212-38	2 3/8		250	201.6	29	18	48	16.3	140	69.1	65.1	25.4	39.7					
212-39	2 7/16																	

Interchange Page 95

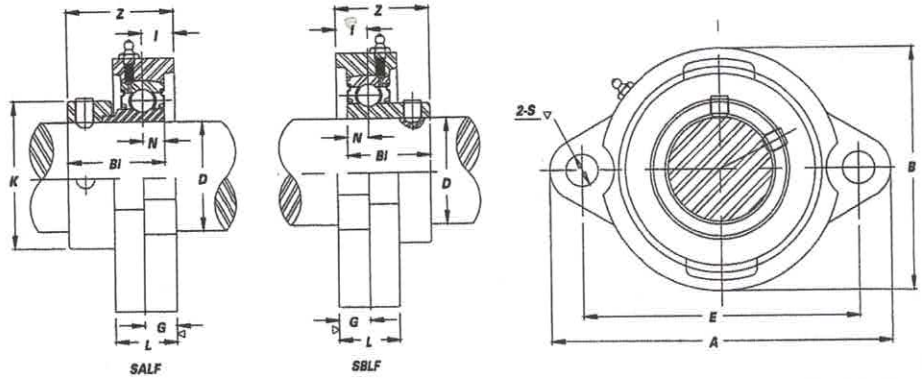
# SBLF & SALF 2-BOLT FLANGE UNITS



## Seal Options



- » Cast iron housing
- » Round bolt holes
- » Narrow inner race bearing
- » Also available non-relubricatable — please specify



## SBLF Set screw type

Unit No.	Shaft Dia.		Dimensions (in.) (mm)										Bolt Used (in.)	Bearing No.	Housing No.	Weight (lbs.)
	d (in.)	d (mm)	A	E	I	G	L	S	B	Z	Bi	N				
SBLF 201-8G 202G 202-10G 203G	1/2 5/8	15 17	3 <sup>9</sup> / <sub>16</sub> 81	2 <sup>1</sup> / <sub>2</sub> 63.5	3/8 10	3/8 10	2 <sup>3</sup> / <sub>32</sub> 18	5/16 8	2 <sup>7</sup> / <sub>32</sub> 56	1 25.4	0.8661 22.0	0.2362 6.0	1/4	SB 201-8G 202G 202-10G 203G	LF 203G	0.6
SBLF 204-12G 204G	3/4	20	3 <sup>17</sup> / <sub>32</sub> 90	2 <sup>13</sup> / <sub>16</sub> 71.5	7/16 11	7/16 11	2 <sup>5</sup> / <sub>32</sub> 20	2 <sup>5</sup> / <sub>64</sub> 10	2 <sup>13</sup> / <sub>32</sub> 61	1 <sup>5</sup> / <sub>32</sub> 29.0	0.9843 25.0	0.2756 7.0	5/16	SB 204-12G 204G	LF 204G	0.7
SBLF 205-14G 205G 205-15G 205-16G	7/8 1 <sup>5</sup> / <sub>16</sub> 1	25	3 <sup>3</sup> / <sub>4</sub> 95	2 <sup>53</sup> / <sub>64</sub> 76.0	7/16 11	7/16 11	2 <sup>5</sup> / <sub>32</sub> 20	2 <sup>5</sup> / <sub>64</sub> 10	2 <sup>17</sup> / <sub>32</sub> 64	1 <sup>3</sup> / <sub>16</sub> 30.5	1.0630 27.0	0.2953 7.5	5/16	SB 205-14G 205G 205-15G 205-16G	LF 205G	0.9
SBLF 206-17G 206-18G 206G 206-19G 206-20G	1 <sup>1</sup> / <sub>8</sub> 1 <sup>1</sup> / <sub>2</sub> 1 <sup>3</sup> / <sub>8</sub> 1 <sup>3</sup> / <sub>8</sub> 1 <sup>1</sup> / <sub>4</sub> S	30	4 <sup>7</sup> / <sub>16</sub> 113	3 <sup>9</sup> / <sub>16</sub> 90.5	1 <sup>5</sup> / <sub>32</sub> 12	1 <sup>5</sup> / <sub>32</sub> 12	7/8 23	1 <sup>5</sup> / <sub>32</sub> 12	3 76	1 <sup>11</sup> / <sub>32</sub> 34.0	1.1811 30.0	0.3150 8.0	3/8	SB 206-17G 206-18G 206G 206-19G 206-20G	LF 206G	1.2
SBLF 207-20G 207-21G 207-22G 207G 207-23G	1 <sup>1</sup> / <sub>4</sub> 1 <sup>5</sup> / <sub>16</sub> 1 <sup>3</sup> / <sub>8</sub> 1 <sup>3</sup> / <sub>8</sub> 1 <sup>7</sup> / <sub>16</sub>	35	4 <sup>13</sup> / <sub>16</sub> 122	3 <sup>15</sup> / <sub>16</sub> 100.0	3 <sup>3</sup> / <sub>64</sub> 13	3 <sup>3</sup> / <sub>64</sub> 13	1 <sup>5</sup> / <sub>16</sub> 24	1 <sup>5</sup> / <sub>32</sub> 12	3 <sup>1</sup> / <sub>2</sub> 89	1 <sup>7</sup> / <sub>16</sub> 36.5	1.2992 33.0	0.3740 9.5	3/8	SB 207-20G 207-21G 207-22G 207G 207-23G	LF 207G	1.7

## SALF Eccentric locking collar type

Unit No.	Shaft Dia.		Dimensions (in.) (mm)										Bolt Used (in.)	Bearing No.	Housing No.	Weight (lbs.)	
	d (in.)	d (mm)	A	E	I	G	L	S	B	Z	Bi	N					K
SALF 201-8G 202G 202-10G 203G	1/2 5/8	15 17	3 <sup>9</sup> / <sub>16</sub> 81	2 <sup>1</sup> / <sub>2</sub> 63.5	3/8 10	3/8 10	2 <sup>3</sup> / <sub>32</sub> 18	5/16 8	2 <sup>7</sup> / <sub>32</sub> 56	1 <sup>1</sup> / <sub>4</sub> 31.8	1.1260 28.6	0.2362 6.0	1 <sup>1</sup> / <sub>8</sub> 29	1/4	SA 201-8G 202G 202-10G 203G	LF 203G	0.7
SALF 204-12G 204G	3/4	20	3 <sup>17</sup> / <sub>32</sub> 90	2 <sup>13</sup> / <sub>16</sub> 71.5	7/16 11	7/16 11	2 <sup>5</sup> / <sub>32</sub> 20	2 <sup>5</sup> / <sub>64</sub> 10	2 <sup>13</sup> / <sub>32</sub> 61	1 <sup>23</sup> / <sub>64</sub> 34.4	1.2205 31.0	0.2953 7.5	1 <sup>5</sup> / <sub>16</sub> 33	5/16	SA 204-12G 204G	LF 204G	0.8
SALF 205-14G 205G 205-15G 205-16G	7/8 1 <sup>5</sup> / <sub>16</sub> 1	25	3 <sup>3</sup> / <sub>4</sub> 95	2 <sup>53</sup> / <sub>64</sub> 76.0	7/16 11	7/16 11	2 <sup>5</sup> / <sub>32</sub> 20	2 <sup>5</sup> / <sub>64</sub> 10	2 <sup>17</sup> / <sub>32</sub> 64	1 <sup>23</sup> / <sub>64</sub> 34.4	1.2205 31.0	0.2953 7.5	1 <sup>1</sup> / <sub>2</sub> 38	5/16	SA 205-14G 205G 205-15G 205-16G	LF 205G	1.0
SALF 206-17G 206-18G 206G 206-19G 206-20G	1 <sup>1</sup> / <sub>8</sub> 1 <sup>1</sup> / <sub>2</sub> 1 <sup>3</sup> / <sub>8</sub> 1 <sup>3</sup> / <sub>8</sub> 1 <sup>1</sup> / <sub>4</sub> S	30	4 <sup>7</sup> / <sub>16</sub> 113	3 <sup>9</sup> / <sub>16</sub> 90.5	1 <sup>5</sup> / <sub>32</sub> 12	1 <sup>5</sup> / <sub>32</sub> 12	7/8 23	1 <sup>5</sup> / <sub>32</sub> 12	3 76	1 <sup>17</sup> / <sub>32</sub> 38.9	1.4055 35.7	0.3543 9.0	1 <sup>3</sup> / <sub>4</sub> 45	3/8	SA 206-17G 206-18G 206G 206-19G 206-20G	LF 206G	1.4
SALF 207-20G 207-21G 207-22G 207G 207-23G	1 <sup>1</sup> / <sub>4</sub> 1 <sup>5</sup> / <sub>16</sub> 1 <sup>3</sup> / <sub>8</sub> 1 <sup>3</sup> / <sub>8</sub> 1 <sup>7</sup> / <sub>16</sub>	35	4 <sup>13</sup> / <sub>16</sub> 122	3 <sup>15</sup> / <sub>16</sub> 100.0	3 <sup>3</sup> / <sub>64</sub> 13	3 <sup>3</sup> / <sub>64</sub> 13	1 <sup>5</sup> / <sub>16</sub> 24	1 <sup>5</sup> / <sub>32</sub> 12	3 <sup>1</sup> / <sub>2</sub> 89	1 <sup>11</sup> / <sub>16</sub> 42.7	1.5315 38.9	0.3740 9.5	2 <sup>9</sup> / <sub>16</sub> 60	3/8	SA 207-20G 207-21G 207-22G 207G 207-23G	LF 207G	2.0

G=Relubricatable Specify "N" for non-relubricatable units



# UC & UCW BEARING INSERTS



## Seal Options



B-type

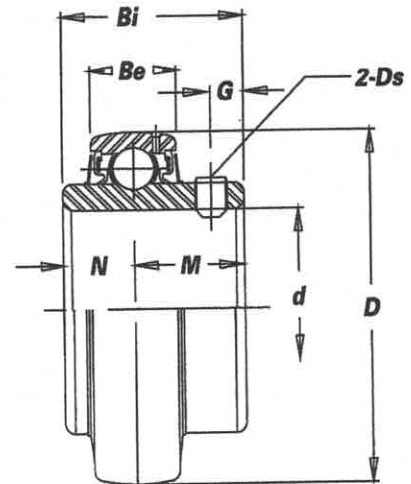


L3-type\*

\*Call for speed tolerances and available sizes

## Set screw lock.

» Wide inner race



Bearing No.	Bore Dia. of Bearing		Dimensions (in. / mm)							Basic Load Rating (lbs.)	Basic Static Load Rating (lbs.)	Weight (lbs.)	
	d (in.)	d (mm)	D	Bi	Be	N	M	G	Ds (in.)				
UCW201		12										0.26	
201-8	1/2	15	1.5748	1.0236	0.5906	0.3937	0.6299	0.1575			2,040	1,020	0.26
202			40.0	26.0	15.0	10.0	16.0	4.0					0.24
202-10	5/8	17											0.24
203													0.22
UC 201		12											0.46
201-8	1/2	15											0.46
202			1.8504	1.2205	0.6299	0.5000	0.7205	0.1969		1/4-28UNF	2,740	1,600	0.42
202-10	5/8	17	47.0	31.0	16.0	12.7	18.3	5.0					0.42
203													0.40
204-12	3/4	20											0.35
204													0.35
UC 205-14	7/8	25											0.51
205-15	15/16		2.0472	1.3386	0.6693	0.5630	0.7756	0.2165		1/4-28UNF	3,010	1,750	0.46
205			52.0	34.0	17.0	14.3	19.7	5.5					0.44
205-16	1												0.44
UC 206-17	1 1/16	30											0.81
206-18	1 1/8		2.4409	1.5000	0.7480	0.6260	0.8740	0.2362		1/4-28UNF	4,200	2,430	0.75
206			62.0	38.1	19.0	15.9	22.2	6.0					0.71
206-19	1 3/16												0.71
206-20	1 1/4 S												0.71
UC 207-20	1 1/4	35											1.19
207-21	1 5/16		2.8346	1.6890	0.7874	0.6890	1.0000	0.2559		5/16-24UNF	5,535	3,340	1.12
207-22	1 3/8		72.0	42.9	20.0	17.5	25.4	6.5					1.06
207													1.06
207-23	1 7/16												0.99
UC 208-24	1 1/2	40											1.50
208-25	1 9/16		3.1496	1.9370	0.8268	0.7480	1.1890	0.3150		5/16-24UNF	6,375	3,960	1.43
208			80.0	49.2	21.0	19.0	30.2	8.0					1.41
UC 209-26	1 5/8	45											1.72
209-27	1 11/16		3.3465	1.9370	0.8661	0.7480	1.1890	0.3150		5/16-24UNF	7,110	4,460	1.63
209-28	1 3/4		85.0	49.2	22.0	19.0	30.2	8.0					1.54
209													1.50
UC 210-30	1 7/8	50											1.92
210-31	1 15/16		3.5433	2.0315	0.9449	0.7480	1.2835	0.3543		3/8-24UNF	7,400	4,910	1.81
210			90.0	51.6	24.0	19.0	32.6	9.0					1.76
210-32	2 S												1.66
UC 211-32	2	55											2.78
211-34	2 1/8		3.9370	2.1890	0.9843	0.8740	1.3150	0.3543		3/8-24UNF	9,490	6,440	2.54
211			100.0	55.6	25.0	22.2	33.4	9.0					2.45
211-35	2 3/16												2.40
UC 212-36	2 1/4	60											3.68
212			4.3307	2.5630	1.0630	1.0000	1.5630	0.4134		3/8-24UNF	11,500	7,940	3.40
212-38	2 3/8		110.0	65.1	27.0	25.4	39.7	10.5					3.34
212-39	2 7/16												3.20
UC 213-40	2 1/2	65											4.28
213			4.7244	2.5630	1.1024	1.0000	1.5630	0.4724		1/2-20UNF	12,400	8,760	4.10
			120.0	65.1	28.0	25.4	39.7	12.0					4.10
UC 214-43	2 11/16	70											4.60
214-44	2 3/4		4.9210	2.9370	1.1811	1.1890	1.7480	0.4724		1/2-20UNF	13,530	9,620	4.54
214			125.0	74.6	30.0	30.2	44.4	12.0					4.52
UC 215-47	2 15/16	75											5.02
215			5.1181	3.0630	1.2598	1.3110	1.7520	0.4724		1/2-20UNF	14,620	10,540	4.87
215-48	3		130.0	77.8	32.0	33.3	44.5	12.0					4.67
UC 216		80											6.15
			5.5118	3.2520	1.2992	1.3110	1.9410	0.5512		1/2-20UNF	16,000	11,700	6.15
			140	82.6	33	33.3	49.3	14					6.15
UC 218-56	3 1/2	90											9.83
218			6.2992	3.7795	1.4961	1.5630	2.2165	0.5906		1/2-20UNF	21,120	15,700	9.59
			160.0	96.0	38.0	39.7	56.3	15.0					9.59

# SA & CSA BEARING INSERTS

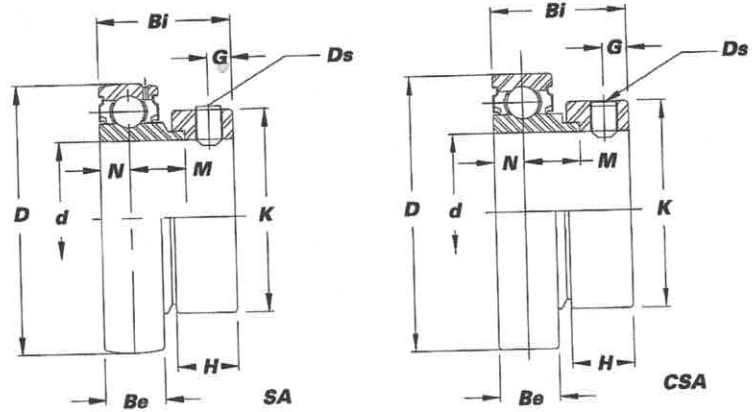


## Seal Options



## Eccentric locking collar.

- » Narrow inner race
- » Available relubricatable (G) or non-relubricatable (N)
- » Spherical (SA) and cylindrical (CSA)



Bearing No.	Bore Dia. of Bearing		Dimensions (in.) (mm)									Basic Load Rating (lbs.)	Basic Static Load Rating (lbs.)	Weight (lbs.)	
	<i>d</i>	<i>d</i>	<i>Be</i>	<i>D</i>	<i>Bi</i>	<i>N</i>	<i>M</i>	<i>G</i>	<i>Ds</i>	<i>K</i>	<i>H</i>				
SA201		12													
201-8	1/2		0.5118	1.5748	1.1260	0.2559	0.4960	0.1890							
202		15	13.0	40.0	28.6	6.5	12.6	4.8	1/4-28UNF	1.1260	0.5315	2,040	1,020	0.29	
202-10	5/8														
203		17													
SA204-12	3/4		0.5906	1.8504	1.2205	0.2953	0.5512	0.1890							
204		20	15.0	47.0	31.0	7.5	14.0	4.8	1/4-28UNF	1.3110	0.5315	2,740	1,600	0.43	
SA205-14	7/8		0.5906	2.0472	1.2205	0.2953	0.5513	0.1890							
205-15	15/16		15.0	52.0	31.0	7.5	14.0	4.8	1/4-28UNF	1.5000	0.5315	3,010	1,750	0.51	
205		25													
205-16	1														
SA206-17	1 1/16		0.7087	2.4409	1.4055	0.3543	0.5827	0.2362							
206-18	1 1/8		18.0	62.0	35.7	9.0	14.8	6.0	5/16-24UNF	1.7520	0.6260	4,200	2,430	0.75	
206		30													
206-19	1 1/16														
206-20	1 1/4 S														
SA207-20	1 1/4		0.7480	2.8346	1.5315	0.3740	0.6260	0.2677							
207-21	1 5/16		19.0	72.0	38.9	9.5	15.9	6.8	5/16-24UNF	2.1890	0.6890	5,535	3,340	1.26	
207-22	1 3/8														
207		35													
207-23	1 7/16														
SA208-24	1 1/2		0.8661	3.1496	1.7205	0.4331	0.7559	0.2677							
208-25	1 9/16		22.0	80.0	43.7	11.0	19.2	6.8	5/16-24UNF	2.3740	0.7205	6,375	3,960	1.65	
208		40													
SA209-26	1 5/8		0.8661	3.3465	1.7205	0.4331	0.7559	0.2677							
209-27	1 11/16		22.0	85.0	43.7	11.0	19.2	6.8	5/16-24UNF	2.5000	0.7205	7,110	4,460	1.81	
209-28	1 3/4														
209		45													
SA210-30	1 7/8		0.8661	3.5433	1.7205	0.4331	0.7559	0.2677							
210-31	1 15/16		22.0	90.0	43.7	11.0	19.2	6.8	5/16-24UNF	2.7520	0.7205	7,400	4,910	1.87	
210		50													
210-32	2 S														
SA211-32	2		0.9449	3.9370	1.9055	0.4724	0.8031	0.3150							
211-34	2 1/8		24.0	100.0	48.4	12.0	20.4	8.0	3/8-24UNF	3.0000	0.8189	9,490	6,440	2.65	
211		55													
211-35	2 3/16														

# CORROSION RESISTANT BEARINGS

## Bearing Insert Options



### SUC, SNA, SSB - Stainless Steel

The most common solution for hostile chemical wash down applications, IPTCI's stainless inserts are composed of the following:

Balls & Rings	440 Stainless Steel
Set Screws	410 Stainless Steel
Slinger & Seal Frame	302 Stainless Steel
Retainer	302 Stainless Steel
Eccentric Collar (SNA only)	304 Stainless Steel
Seal	Silicone Rubber
Lubrication	H-1 Food Grade Grease
Operating Temp. Range	-10° F to 250° F



### SSER - Stainless Steel ER Style

With the same component composition of SUC, SSER is designed to keep your cylindrical applications turning in corrosive environments. Also see black oxide ER bearings.

### CUC - Hard Chrome Coated

Highly effective for intermediate wash down applications, chrome coated inserts can dramatically extend bearing life beyond that of other plated bearing products. CUC inserts are composed of the following:

Rings	Hard Chrome Coated
Balls	440 Stainless Steel
Set Screws	410 Stainless Steel
Slinger & Seal Frame	302 Stainless Steel
Retainer	302 Stainless Steel*
Eccentric Collar (CNA only)	304 Stainless Steel
Seal	Silicone Rubber
Lubrication	H-1 Food Grade Grease
Operating Temp. Range	-10° F to 250° F

\*chrome coated for sizes 213-215

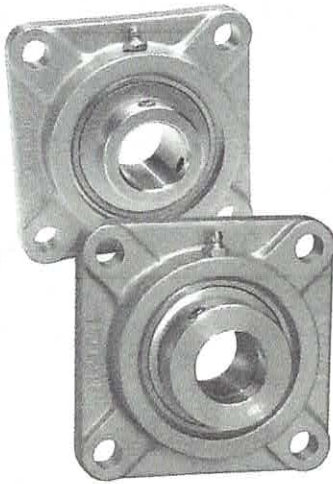


### BUC - Black Oxide

A popular choice for mildly corrosive applications. Also see Black Oxide ER and Black Oxide High Temperature HUC bearings.

# SUCSF & SNASF 4-BOLT FLANGE UNITS

ALL STAINLESS STEEL



### Seal Options



B-type



L3-type\*

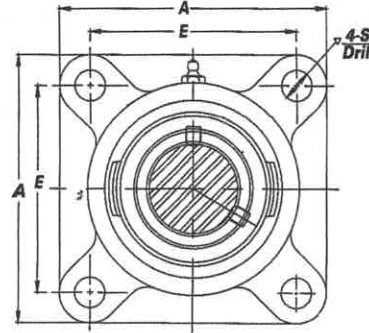
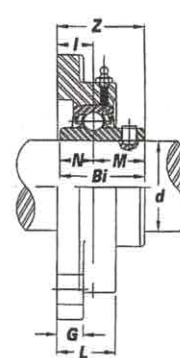


IP69K-type\*

\*Call for speed tolerances and available sizes

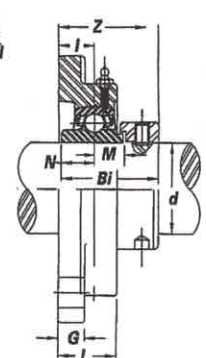
### SUCSF

- » Set screw locking
- » Available in Stand-Off Series



### SNASF

- » Eccentric locking collar
- » Available in Stand-Off Series



Unit No.	Shaft Dia.		Dimensions (in.) (mm)										Bolt Used (in.)	Bearing No.	Housing No.	Weight (lbs.)	
	d (in.)	d (mm)	A	E	I	G	L	S	Z	Bi	N	M					
<b>SUCSF Set Screw Type</b>																	
SUCSF 201-8	1/2	12.7	39/8	21/2	19/32	7/16	1	7/16	19/16	1.2205	0.5000	0.7205	3/8	SUC 201-8	SF 204	1.8	
SUCSF 202-10	5/8	15.875	86	64	15	11	25.4	11	33.3	31.0	12.7	18.3	3/8	SUC 202-10	SF 204	1.8	
SUCSF 204-12	3/4	19.05	86	64	15	11	25.4	11	33.3	31.0	12.7	18.3	3/8	SUC 204-12	SF 204	1.6	
SUCSF 205-14	7/8	22.225	95	70	16	13	27	11.5	35.7	34.0	14.3	19.7	3/8	SUC 205-14	SF 205	2.1	
SUCSF 205-16	1	25.4	95	70	16	13	27	11.5	35.7	34.0	14.3	19.7	3/8	SUC 205-16	SF 205	2.1	
SUCSF 206-18	1 1/8	28.575	108	83	18	13	31	13	40.2	38.1	15.9	22.2	7/16	SUC 206-18	SF 206	2.9	
SUCSF 206-19	1 3/16	30.175	108	83	18	13	31	13	40.2	38.1	15.9	22.2	7/16	SUC 206-19	SF 206	2.9	
SUCSF 206-20	1 1/4 S	31.75	108	83	18	13	31	13	40.2	38.1	15.9	22.2	7/16	SUC 206-20	SF 206	2.9	
SUCSF 207-20	1 1/4	31.75	117	92	19	15	34	13	44.4	42.9	17.5	25.4	7/16	SUC 207-20	SF 207	3.8	
SUCSF 207-21	1 5/16	33.325	117	92	19	15	34	13	44.4	42.9	17.5	25.4	7/16	SUC 207-21	SF 207	3.8	
SUCSF 207-22	1 3/8	34.9	117	92	19	15	34	13	44.4	42.9	17.5	25.4	7/16	SUC 207-22	SF 207	3.8	
SUCSF 207-23	1 7/16	36.475	117	92	19	15	34	13	44.4	42.9	17.5	25.4	7/16	SUC 207-23	SF 207	3.8	
SUCSF 208-24	1 1/2	38.1	130	102	21	15	36	14	51.2	49.2	19.0	30.2	1/2	SUC 208-24	SF 208	4.9	
SUCSF 208-27	1 11/16	40.675	130	102	21	15	36	14	51.2	49.2	19.0	30.2	1/2	SUC 208-27	SF 208	4.9	
SUCSF 209-28	1 3/4	42.25	137	105	22	16	38	16	52.2	49.2	19.0	30.2	9/16	SUC 209-28	SF 209	5.4	
SUCSF 209-28	1 3/4	42.25	137	105	22	16	38	16	52.2	49.2	19.0	30.2	9/16	SUC 209-28	SF 209	5.4	
SUCSF 210-31	1 15/16	44.825	143	111	22	16	40	16	54.6	51.6	19.0	32.6	9/16	SUC 210-31	SF 210	5.9	
SUCSF 210-32	2 S	50.8	143	111	22	16	40	16	54.6	51.6	19.0	32.6	9/16	SUC 210-32	SF 210	5.9	
SUCSF 211-32	2	50.8	162	130	25	18	43	17	58.4	55.6	22.2	33.4	5/8	SUC 211-32	SF 211	8.1	
SUCSF 211-35	2 1/16	52.375	162	130	25	18	43	17	58.4	55.6	22.2	33.4	5/8	SUC 211-35	SF 211	8.1	
SUCSF 212-36	2 1/4	59.525	175	143	29	18	48	17	68.7	65.1	25.4	39.7	5/8	SUC 212-36	SF 212	10.0	
SUCSF 212-39	2 1/2	63.5	175	143	29	18	48	17	68.7	65.1	25.4	39.7	5/8	SUC 212-39	SF 212	10.0	
<b>SNASF Eccentric Locking Collar Type</b>																	
SNASF 204-12	3/4	19.05	86	64	15	11	25.4	11	33.3	31.0	12.7	17.0	3/8	SNA 204-12	SF 204	1.7	
SNASF 205-14	7/8	22.225	95	70	16	13	27	11.5	35.7	34.0	14.3	17.4	3/8	SNA 205-14	SF 205	2.2	
SNASF 205-16	1	25.4	95	70	16	13	27	11.5	35.7	34.0	14.3	17.4	3/8	SNA 205-16	SF 205	2.2	
SNASF 206-18	1 1/8	28.575	108	83	18	13	31	13	40.2	38.1	15.9	18.2	7/16	SNA 206-18	SF 206	3.0	
SNASF 206-19	1 3/16	30.175	108	83	18	13	31	13	40.2	38.1	15.9	18.2	7/16	SNA 206-19	SF 206	3.0	
SNASF 206-20	1 1/4 S	31.75	108	83	18	13	31	13	40.2	38.1	15.9	18.2	7/16	SNA 206-20	SF 206	3.0	
SNASF 207-20	1 1/4	31.75	117	92	19	15	34	13	44.4	42.9	17.5	18.8	7/16	SNA 207-20	SF 207	4.0	
SNASF 207-22	1 3/8	34.9	117	92	19	15	34	13	44.4	42.9	17.5	18.8	7/16	SNA 207-22	SF 207	4.0	
SNASF 207-23	1 7/16	36.475	117	92	19	15	34	13	44.4	42.9	17.5	18.8	7/16	SNA 207-23	SF 207	4.0	
SNASF 208-24	1 1/2	38.1	130	102	21	15	36	14	55.9	53.9	19.0	21.4	1/2	SNA 208-24	SF 208	5.1	
SNASF 209-28	1 3/4	42.25	137	105	22	16	38	16	56.9	53.9	19.0	21.4	9/16	SNA 209-28	SF 209	5.7	
SNASF 210-31	1 15/16	44.825	143	111	22	16	40	16	60.1	57.1	19.0	24.6	9/16	SNA 210-31	SF 210	6.3	
SNASF 210-32	2 S	50.8	143	111	22	16	40	16	60.1	57.1	19.0	24.6	9/16	SNA 210-32	SF 210	6.3	