



GE INDUSTRIAL MOTORS
a **WOLONG** company

Product Information Packet

July 19, 2023

Data shown is for the current revision model #. Ensure your nameplate model # matches.

Model Number:	5KS286BWV205
Catalog Number:	WV020
Instruction Manual:	
Connection Diagram:	
Outline Drawing:	

Accessory Connection Diagrams			
Bearing Thermocouple:	None	Heater:	None
RTD:	None	Thermistor:	None
Thermostat:	None	Winding Thermocouple:	None
Bearing RTD:	None		

Table of Contents

Specification	01
Performance Characteristics	02
Outline Drawing	03
Connection Drawing(s)	04

Marks:

MODEL NUMBER: 5KS286BWV205
Outline Drawing:
Connection Diagram:
Instruction Book:
Design Code: B
Type: KS
Frame: 286T
Phases: 3
Poles: 4
Output Power: 30HP
RPM: 1775
Voltage: 230/460
Hertz: 60
Amps - FL: 68.6/34.3
Service Factor: 1.25@60Hz
Alt Service Factor: 1.0

Estimated Weight: 368 Lbs
Time Rating: S1
Enclosure: TEFC
Encl Construction: GP
Ambient Max(°C): 40
Alt Ambient Max(°C): 40
Insulation Class: F
NEMA Design: B
Nominal Efficiency: 93.6 %
Guaranteed Efficiency: 92.4 %
3/4 Load Efficiency: 94.5 %
KVA Code: K
Max KVAR:
Power Factor: 86%
Bearing - DE: 6310-ZZC3
Bearing - ODE: 6308-ZZC3

Enclosure is Totally Enclosed Fan-Cooled

Stamped Nameplate Notes:**Additional Information:**

ROTATION:CCW VIEWED FROM DE



Performance Characteristics

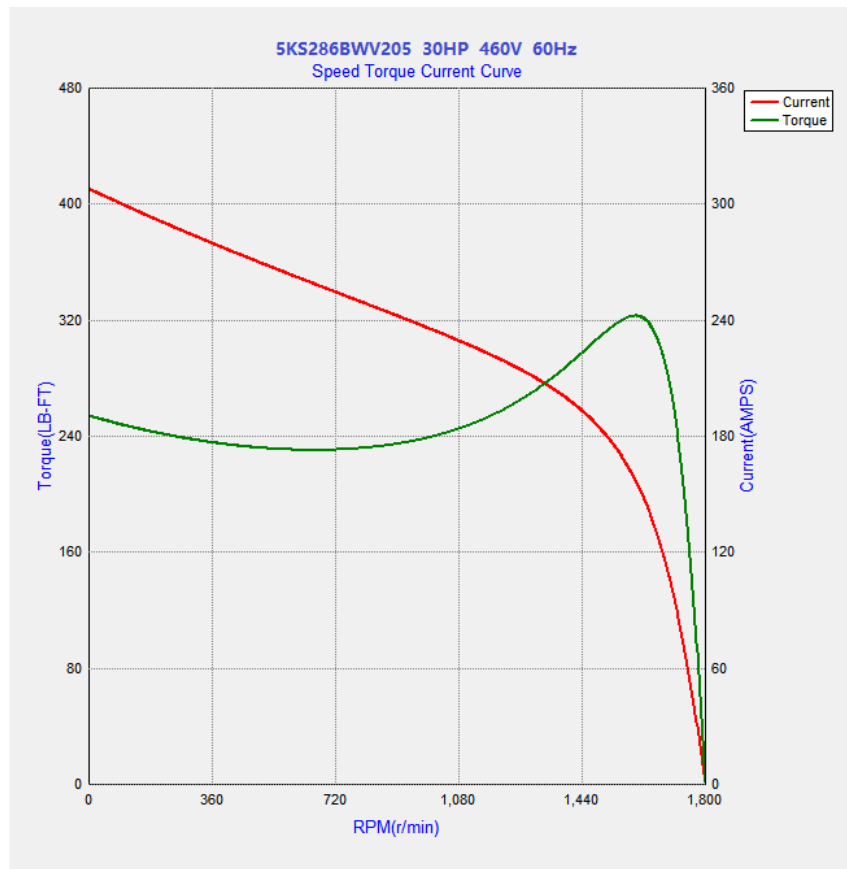
Marks:

LOAD %	150.0	125.0	100.0	75.0	50.0	25.0
% EFF	93.28	93.94	94.39	94.50	93.87	90.63
% PF	88.23	87.66	85.55	80.67	70.60	50.14
AMPS(460V)	50.33	41.92	34.20	27.17	20.83	15.19

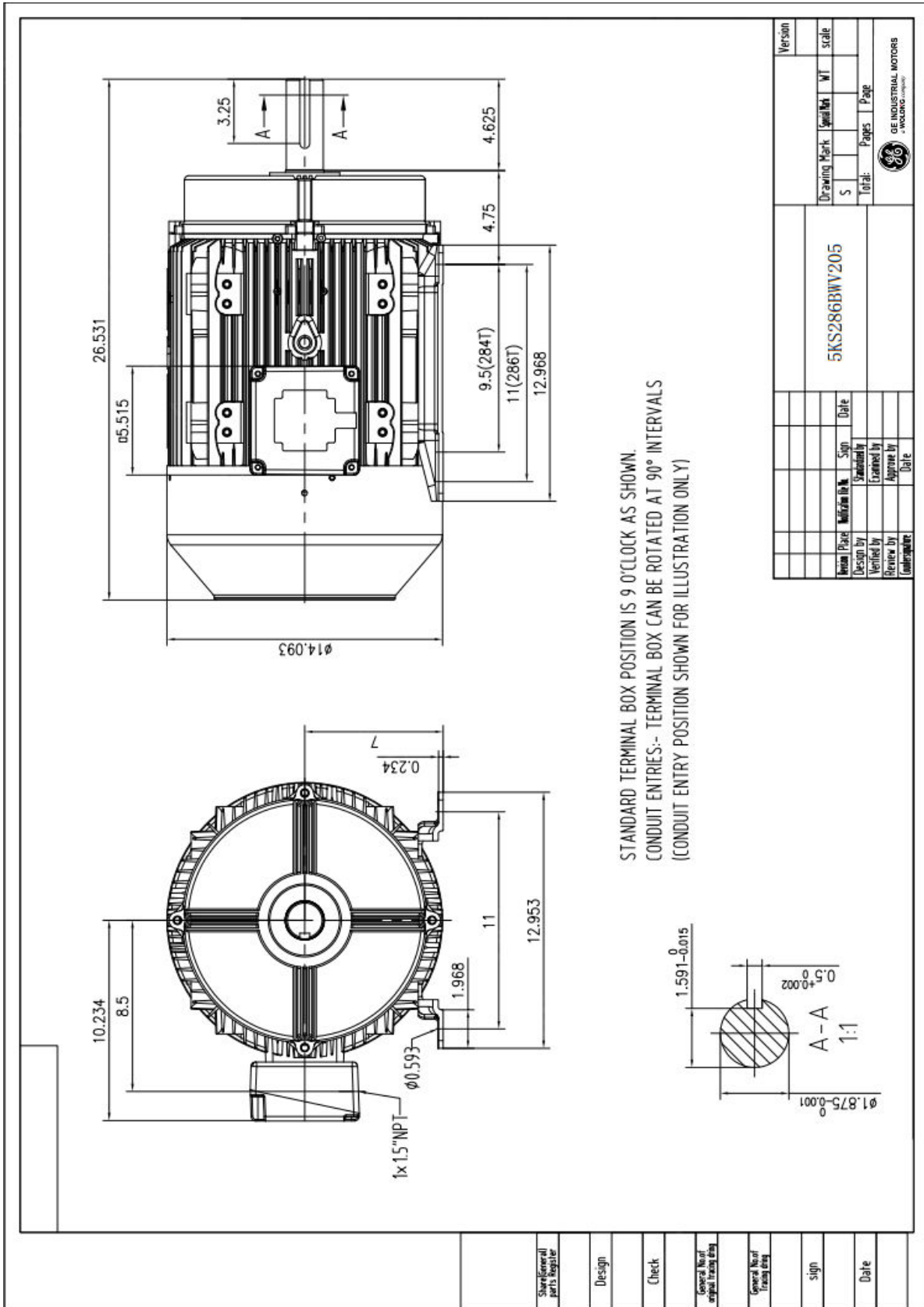
TORQUE(FL) LB-FT 118.37 TORQUE(LR)%FL 211 TORQUE(BD)%FL 360
 AMPS(LR 460V) 384 PF AT START

Other Useful Information for Application:

Rotor Inertia: Lb-Ft ² (Kg-m ²):	0.271(0.2)
Max load inertia: Lb-Ft ² (Kg-m ²):	
Load Type:	Square Torque/Speed Characteristic
Voltage:	
Number of starts per hour:	2 Cold or 1 Hot
Acceleration Time with maximum inertia (sec):	
Safe stall time (sec): Cold/Hot	27/11



Place GE's Outline drawing



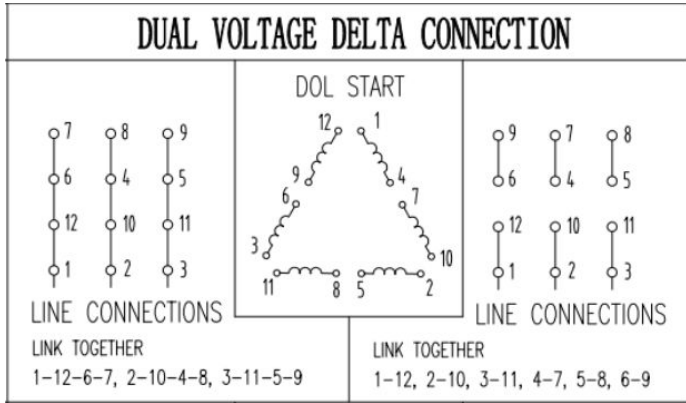
Version							
Drawing Mark	Special	WT	scale				
S							
Total:	Pages	Page					
5KS286BWV205				GE INDUSTRIAL MOTORS - WOLONG COMPANY			
Item	Place	Modify In	Sign	Date			
Design by			Specialty				
Verified by			Examined by				
Review by			Approved by				
Collaborator			Date				

Check General parts supplier	
Design	
Check	
General Part of original tracing drawing	
General Part of tracing drawing	
sign	
Date	



Marks:

Connection Diagram
GEM2034E-FIG3



Thermistor Connection
235A3027VD

