



**GE INDUSTRIAL MOTORS**  
a **WOLONG** company

# Product Information Packet

July 19, 2023

Data shown is for the current revision model #. Ensure your nameplate model # matches.

<b>Model Number:</b>	<b>5KS256BWV205</b>
<b>Catalog Number:</b>	<b>WV016</b>
<b>Instruction Manual:</b>	
<b>Connection Diagram:</b>	
<b>Outline Drawing:</b>	

<b>Accessory Connection Diagrams</b>			
<b>Bearing Thermocouple:</b>	None	<b>Heater:</b>	None
<b>RTD:</b>	None	<b>Thermistor:</b>	None
<b>Thermostat:</b>	None	<b>Winding Thermocouple:</b>	None
<b>Bearing RTD:</b>	None		

## Table of Contents

Specification	01
Performance Characteristics	02
Outline Drawing	03
Connection Drawing(s)	04

**Marks:**

**MODEL NUMBER:** 5KS256BWV205  
**Outline Drawing:**  
**Connection Diagram:**  
**Instruction Book:**  
**Design Code:** B  
**Type:** KS  
**Frame:** 256T  
**Phases:** 3  
**Poles:** 4  
**Output Power:** 20HP  
**RPM:** 1765  
**Voltage:** 230/460  
**Hertz:** 60  
**Amps - FL:** 47.1/23.5  
**Service Factor:** 1.25@60Hz  
**Alt Service Factor:** 1.0

**Estimated Weight:** 280 Lbs  
**Time Rating:** S1  
**Enclosure:** TEFC  
**Encl Construction:** GP  
**Ambient Max(°C):** 40  
**Alt Ambient Max(°C):** 40  
**Insulation Class:** F  
**NEMA Design:** B  
**Nominal Efficiency:** 93.0 %  
**Guaranteed Efficiency:** 91.7 %  
**3/4 Load Efficiency:** 92.85 %  
**KVA Code:** K  
**Max KVAR:**  
**Power Factor:** 86%  
**Bearing - DE:** 6309-ZZC3  
**Bearing - ODE:** 6307-ZZC3

Enclosure is Totally Enclosed Fan-Cooled

**Stamped Nameplate Notes:****Additional Information:**

ROTATION:CCW VIEWED FROM DE



**Performance Characteristics**

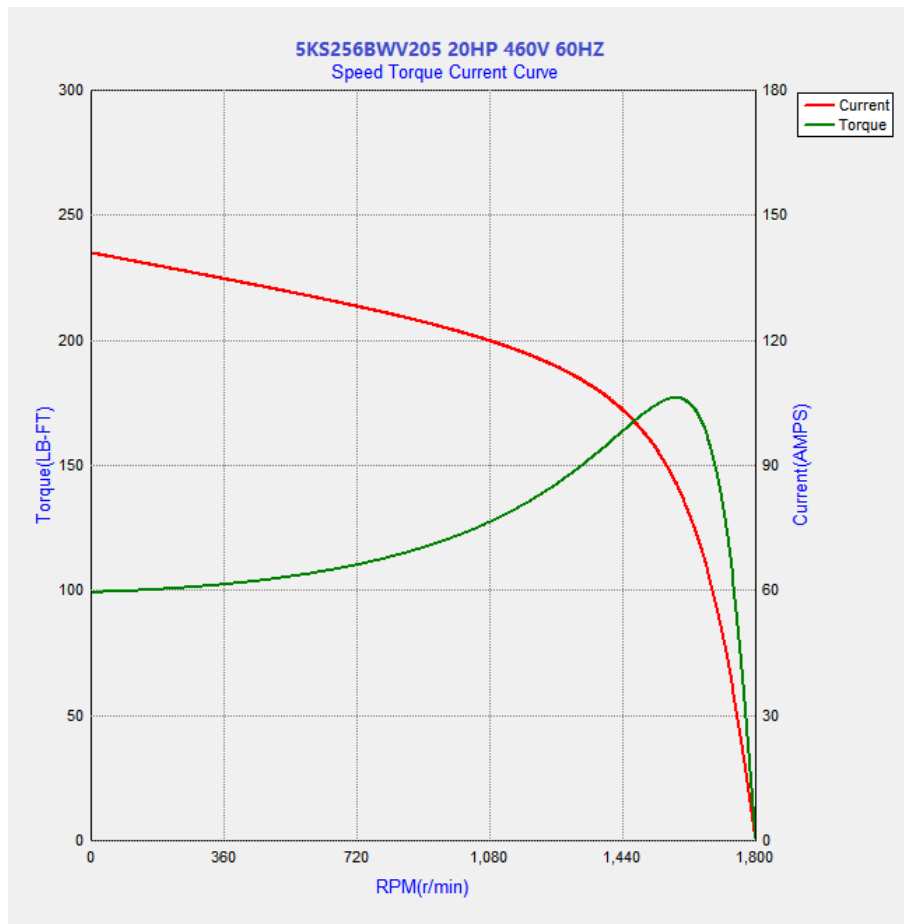
**Marks:**

LOAD %	150.0	125.0	100.0	75.0	50.0	25.0
% EFF	90.97	91.95	93.01	92.85	92.07	88.00
% PF	86.96	86.71	85.79	79.83	69.24	48.13
AMPS(460V)	35.70	29.52	23.60	19.05	14.77	11.11

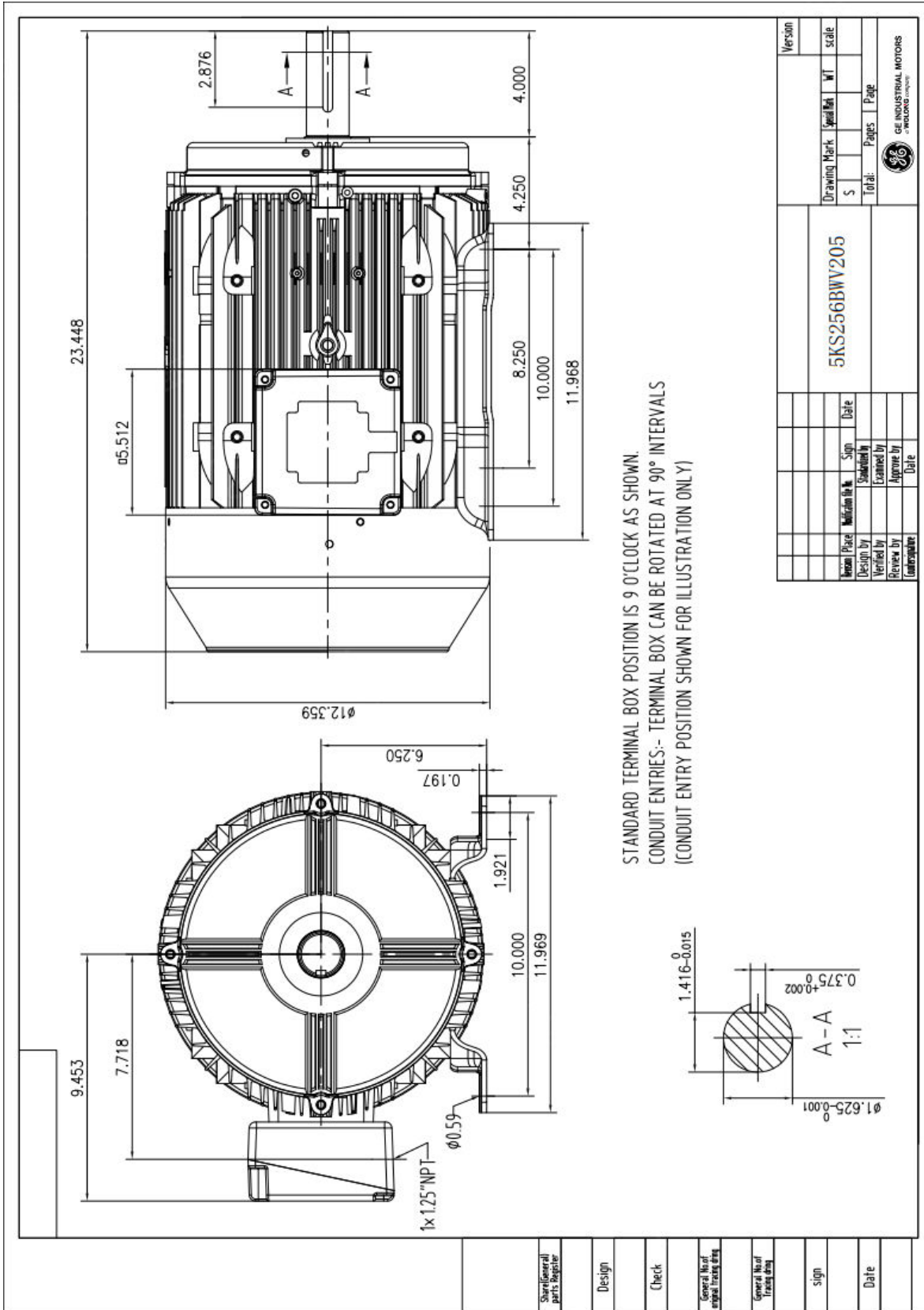
TORQUE(FL) LB-FT      81.16    TORQUE(LR)%FL      202    TORQUE(BD)%FL      292  
 AMPS(LR 460V)      178    PF AT START

**Other Useful Information for Application:**

Rotor Inertia: Lb-Ft <sup>2</sup> (Kg-m <sup>2</sup> ):	0.1491(0.11)
Max load inertia: Lb-Ft <sup>2</sup> (Kg-m <sup>2</sup> ):	
Load Type:	Square Torque/Speed Characteristic
Voltage:	
Number of starts per hour:	2 Cold or 1 Hot
Acceleration Time with maximum inertia (sec):	
Safe stall time (sec): Cold/Hot	44/18

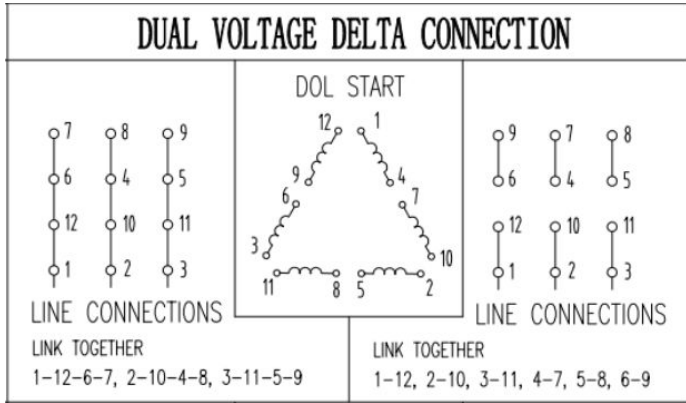


### Place GE's Outline drawing



Marks:

**Connection Diagram**  
**GEM2034E-FIG3**



**Thermistor Connection**  
**235A3027VD**

