



GE INDUSTRIAL MOTORS
a **WOLONG** company

Product Information Packet

July 19, 2023

Data shown is for the current revision model #. Ensure your nameplate model # matches.

Model Number:	5KS254BWV205
Catalog Number:	WV014
Instruction Manual:	
Connection Diagram:	
Outline Drawing:	

Accessory Connection Diagrams			
Bearing Thermocouple:	None	Heater:	None
RTD:	None	Thermistor:	None
Thermostat:	None	Winding Thermocouple:	None
Bearing RTD:	None		

Table of Contents

Specification	01
Performance Characteristics	02
Outline Drawing	03
Connection Drawing(s)	04

Marks:

MODEL NUMBER:	5KS254BWV205
Outline Drawing:	
Connection Diagram:	
Instruction Book:	
Design Code:	B
Type:	KS
Frame:	254T
Phases:	3
Poles:	4
Output Power:	15HP
RPM:	1765
Voltage:	230/460
Hertz:	60
Amps - FL:	35.2/17.6
Service Factor:	1.25@60Hz
Alt Service Factor:	1.0

Estimated Weight:	280 Lbs
Time Rating:	S1
Enclosure:	TEFC
Encl Construction:	GP
Ambient Max(°C):	40
Alt Ambient Max(°C):	40
Insulation Class:	F
NEMA Design:	B
Nominal Efficiency:	92.4 %
Guaranteed Efficiency:	91.0 %
3/4 Load Efficiency:	92.78%
KVA Code:	G
Max KVAR:	
Power Factor:	85%
Bearing - DE:	6309-ZZC3
Bearing - ODE:	6307-ZZC3

Enclosure is Totally Enclosed Fan-Cooled

Stamped Nameplate Notes:**Additional Information:**

ROTATION:CCW VIEWED FROM DE



Performance Characteristics

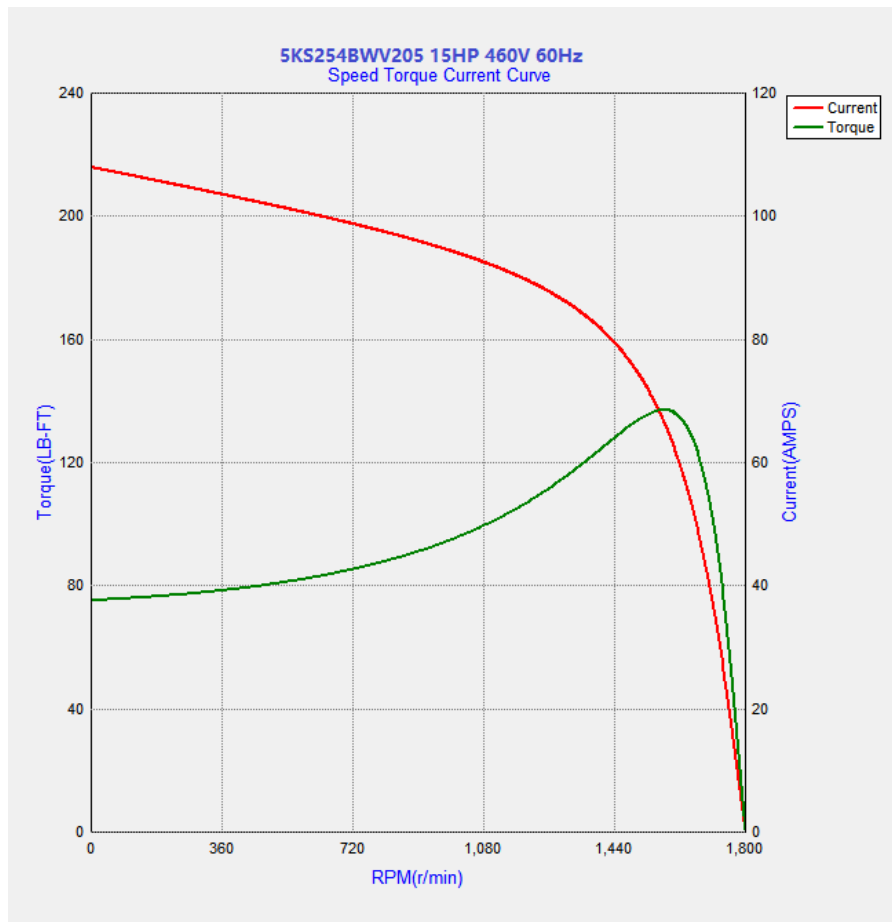
Marks:

LOAD %	150.0	125.0	100.0	75.0	50.0	25.0
% EFF	90.77	91.80	92.52	92.78	92.05	88.01
% PF	87.30	87.32	85.87	81.56	71.81	51.22
AMPS(460V)	26.13	21.53	17.38	13.68	10.44	7.66

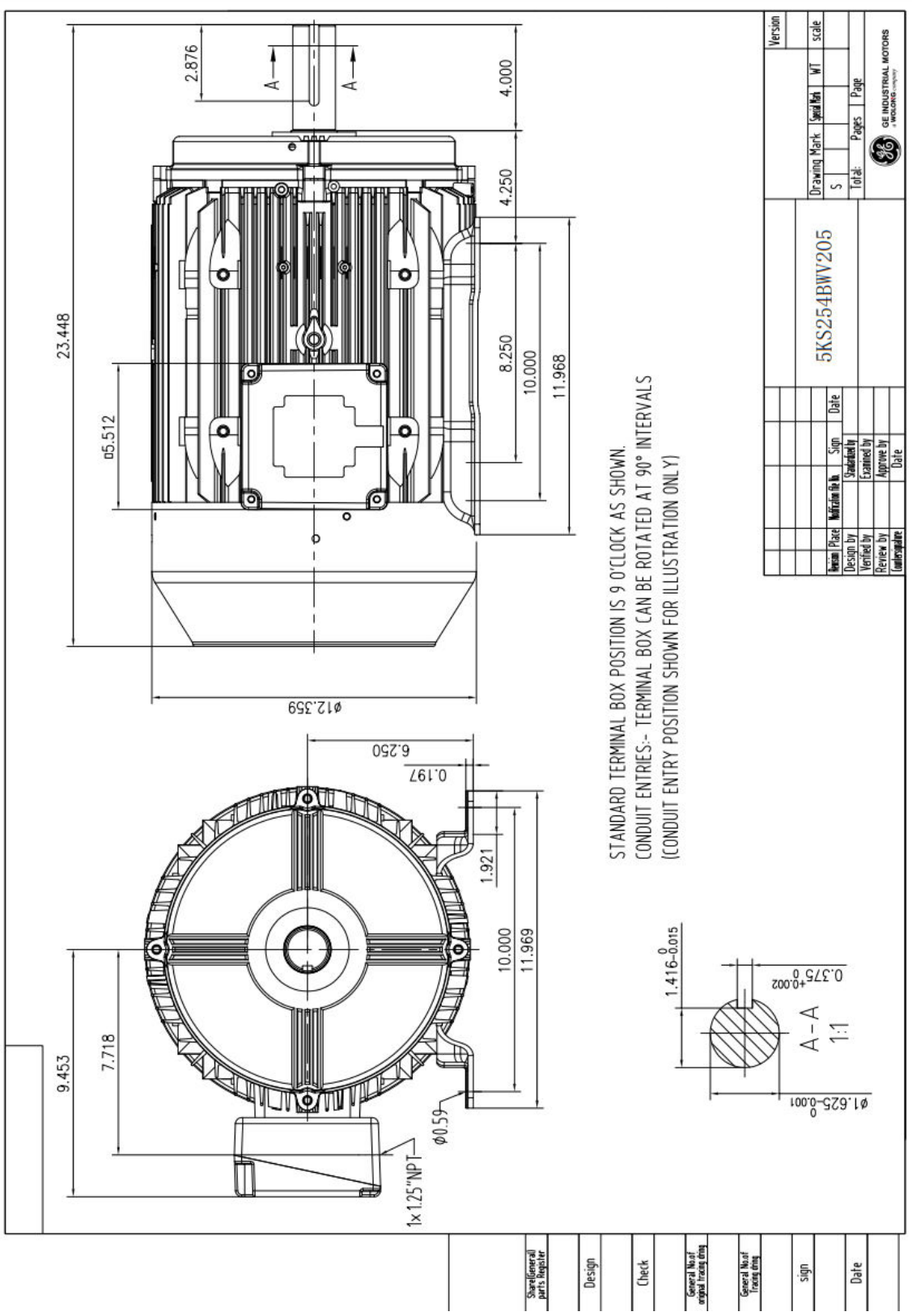
TORQUE(FL) LB-FT 59.52 TORQUE(LR)%FL 200 TORQUE(BD)%FL 310
 AMPS(LR 460V) 120 PF AT START

Other Useful Information for Application:

Rotor Inertia: Lb-Ft ² (Kg-m ²):	0.1206(0.089)
Max load inertia: Lb-Ft ² (Kg-m ²):	
Load Type:	Square Torque/Speed Characteristic
Voltage:	
Number of starts per hour:	2 Cold or 1 Hot
Acceleration Time with maximum inertia (sec):	
Safe stall time (sec): Cold/Hot	53/21

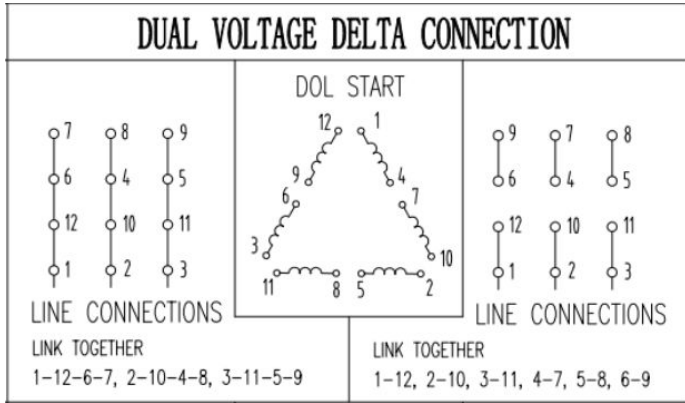


Place GE's Outline drawing



Marks:

Connection Diagram
GEM2034E-FIG3



Thermistor Connection
235A3027VD

