



GE INDUSTRIAL MOTORS
a **WOLONG** company

Product Information Packet

July 19, 2023

Data shown is for the current revision model #. Ensure your nameplate model # matches.

Model Number:	5KS213BWV205
Catalog Number:	WV010
Instruction Manual:	
Connection Diagram:	
Outline Drawing:	

Accessory Connection Diagrams			
Bearing Thermocouple:	None	Heater:	None
RTD:	None	Thermistor:	None
Thermostat:	None	Winding Thermocouple:	None
Bearing RTD:	None		

Table of Contents

Specification	01
Performance Characteristics	02
Outline Drawing	03
Connection Drawing(s)	04

Marks:

MODEL NUMBER:	5KS213BWV205	Estimated Weight:	130 Lbs
Outline Drawing:		Time Rating:	S1
Connection Diagram:		Enclosure:	TEFC
Instruction Book:		Encl Construction:	GP
Design Code:	B	Ambient Max(°C):	40
Type:	KS	Alt Ambient Max(°C):	40
Frame:	213T	Insulation Class:	F
Phases:	3	NEMA Design:	B
Poles:	4	Nominal Efficiency:	91.7 %
Output Power:	7.5HP	Guaranteed Efficiency:	90.2 %
RPM:	1765	3/4 Load Efficiency:	91.6 %
Voltage:	230/460	KVA Code:	H
Hertz:	60	Max KVAR:	
Amps - FL:	17.9/8.96	Power Factor:	84%
Service Factor:	1.25@60Hz	Bearing - DE:	6208-ZZC3
Alt Service Factor:	1.0	Bearing - ODE:	6208-ZZC3

Enclosure is Totally Enclosed Fan-Cooled

Stamped Nameplate Notes:**Additional Information:**

ROTATION:CCW VIEWED FROM DE



Performance Characteristics

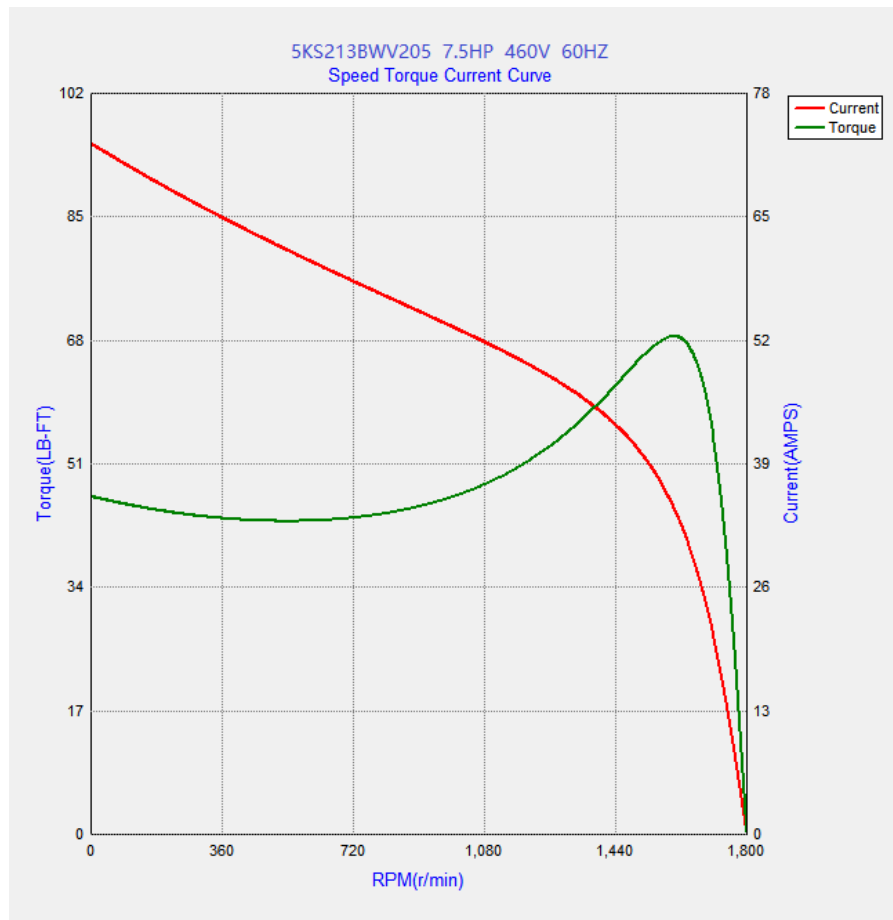
Marks:

LOAD %	150.0	125.0	100.0	75.0	50.0	25.0
% EFF	90.71	91.36	91.71	91.63	90.57	86.09
% PF	86.29	85.88	83.96	79.76	70.27	48.22
AMPS(460V)	13.24	11.01	8.97	7.09	5.43	4.16

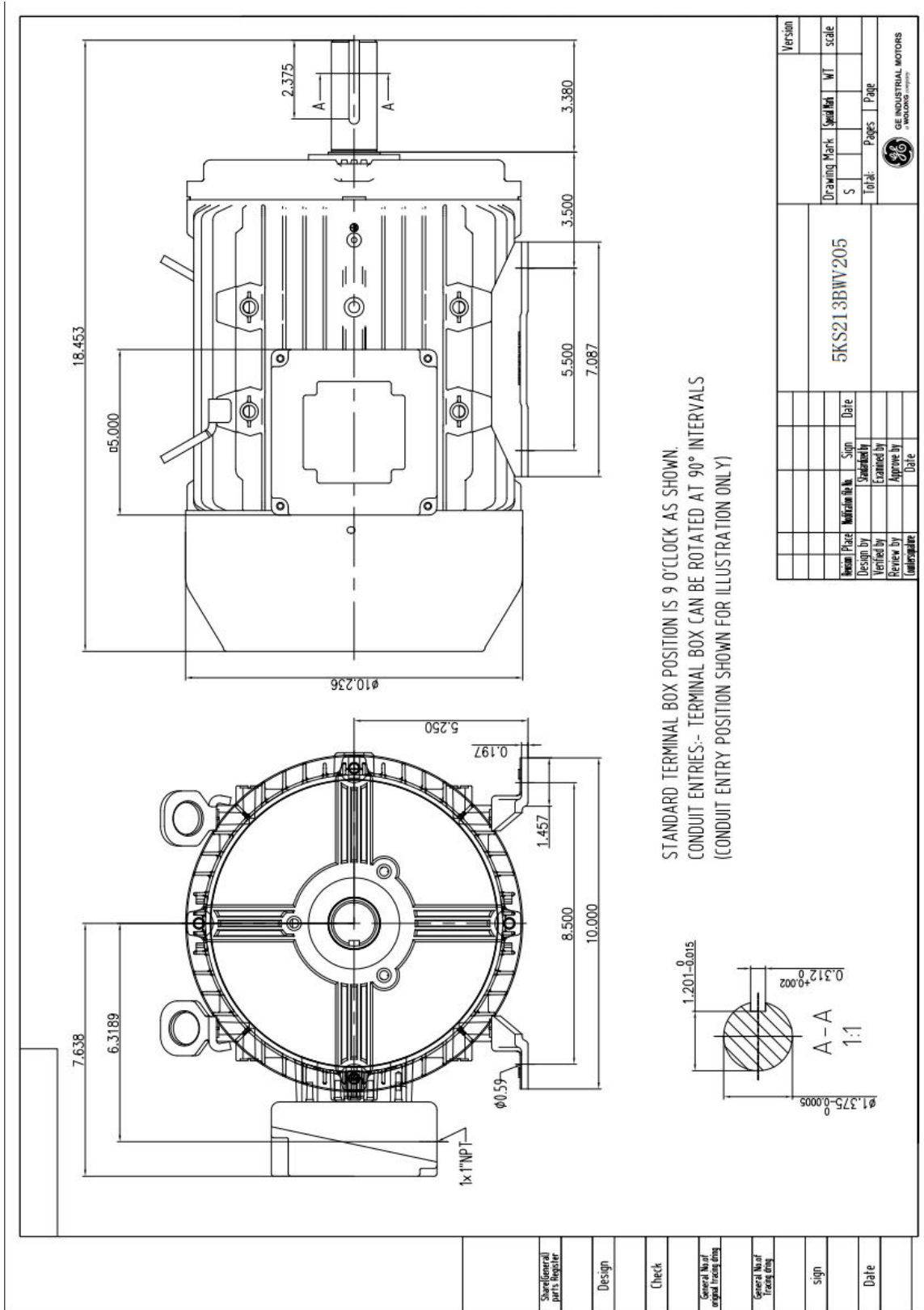
TORQUE(FL) LB-FT 29.76 TORQUE(LR)%FL 210 TORQUE(BD)%FL 310
 AMPS(LR 460V) 74.4 PF AT START

Other Useful Information for Application:

Rotor Inertia: Lb-Ft ² (Kg-m ²):	0.0434(0.032)
Max load inertia: Lb-Ft ² (Kg-m ²):	
Load Type:	Square Torque/Speed Characteristic
Voltage:	
Number of starts per hour:	2 Cold or 1 Hot
Acceleration Time with maximum inertia (sec):	
Safe stall time (sec): Cold/Hot	37/15

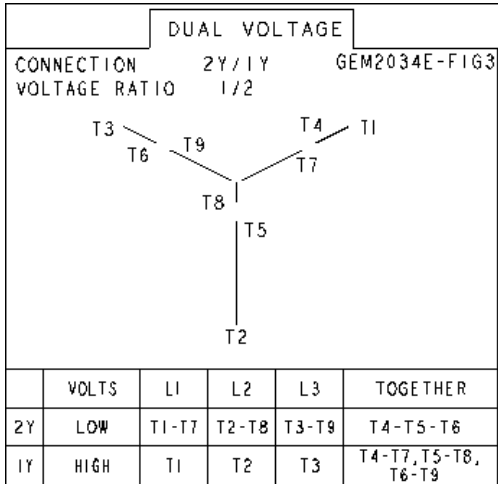


Place GE's Outline drawing



Marks:

Connection Diagram
GEM2034E-FIG3



Thermistor Connection
235A3027VD

