



GE INDUSTRIAL MOTORS
a **WOLONG** company

Product Information Packet

July 20, 2023

Data shown is for the current revision model #. Ensure your nameplate model # matches.

Model Number:	5KS145BWV201
Catalog Number:	WV002
Instruction Manual:	
Connection Diagram:	
Outline Drawing:	

Accessory Connection Diagrams			
Bearing Thermocouple:	None	Heater:	None
RTD:	None	Thermistor:	None
Thermostat:	None	Winding Thermocouple:	None
Bearing RTD:	None		

Table of Contents

Specification	01
Performance Characteristics	02
Outline Drawing	03
Connection Drawing(s)	04

Marks:

MODEL NUMBER: 5KS145BWV201
Outline Drawing:
Connection Diagram:
Instruction Book:
Design Code: B
Type: KS
Frame: 145T
Phases: 3
Poles: 4
Output Power: 1.5HP
RPM: 1750
Voltage: 230/460
Hertz: 60
Amps - FL: 4.09/2.05
Service Factor: 1.25@60Hz
Alt Service Factor: 1.0

Estimated Weight: 40 Lbs
Time Rating: S1
Enclosure: TEFC
Encl Construction: GP
Ambient Max(°C): 40
Alt Ambient Max(°C): 40
Insulation Class: F
NEMA Design: B
Nominal Efficiency: 86.5 %
Guaranteed Efficiency: 84.0 %
3/4 Load Efficiency: 86.2 %
KVA Code: K
Max KVAR:
Power Factor: 78%
Bearing - DE: 6205-ZZC3
Bearing - ODE: 6203-ZZC3

Enclosure is Totally Enclosed Fan-Cooled

Stamped Nameplate Notes:**Additional Information:**

ROTATION:CCW VIEWED FROM DE



Performance Characteristics

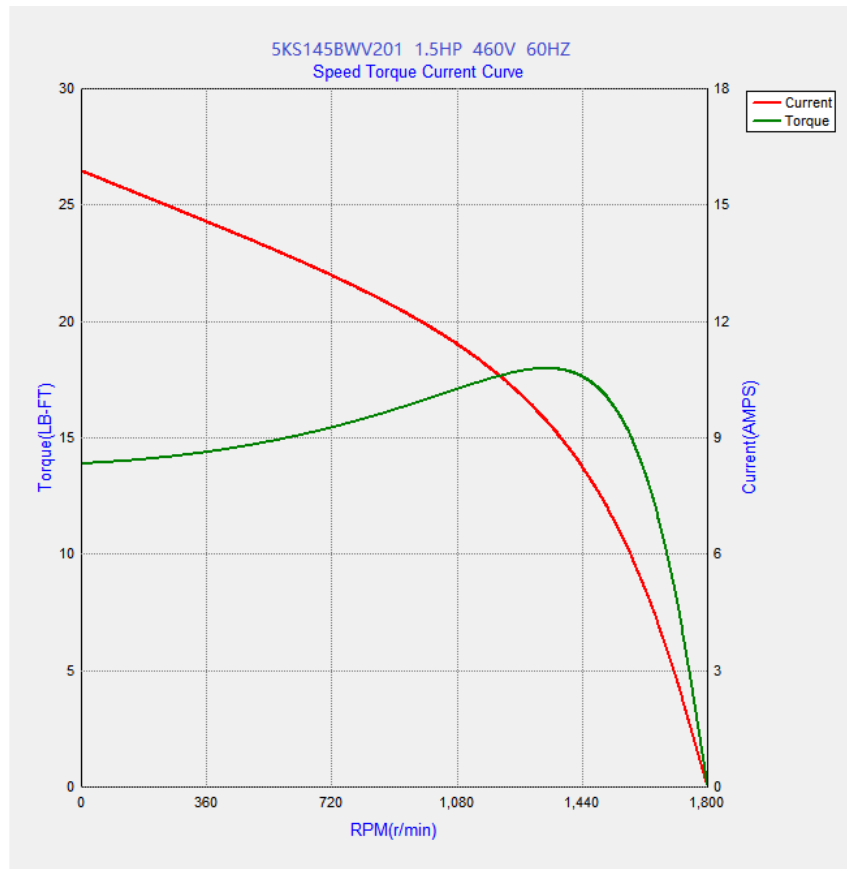
Marks:

LOAD %	150.0	125.0	100.0	75.0	50.0	25.0
% EFF	85.22	86.09	86.51	86.24	84.45	77.56
% PF	83.92	81.85	78.96	71.15	58.77	37.03
AMPS(460V)	2.90	2.45	2.03	1.69	1.39	1.20

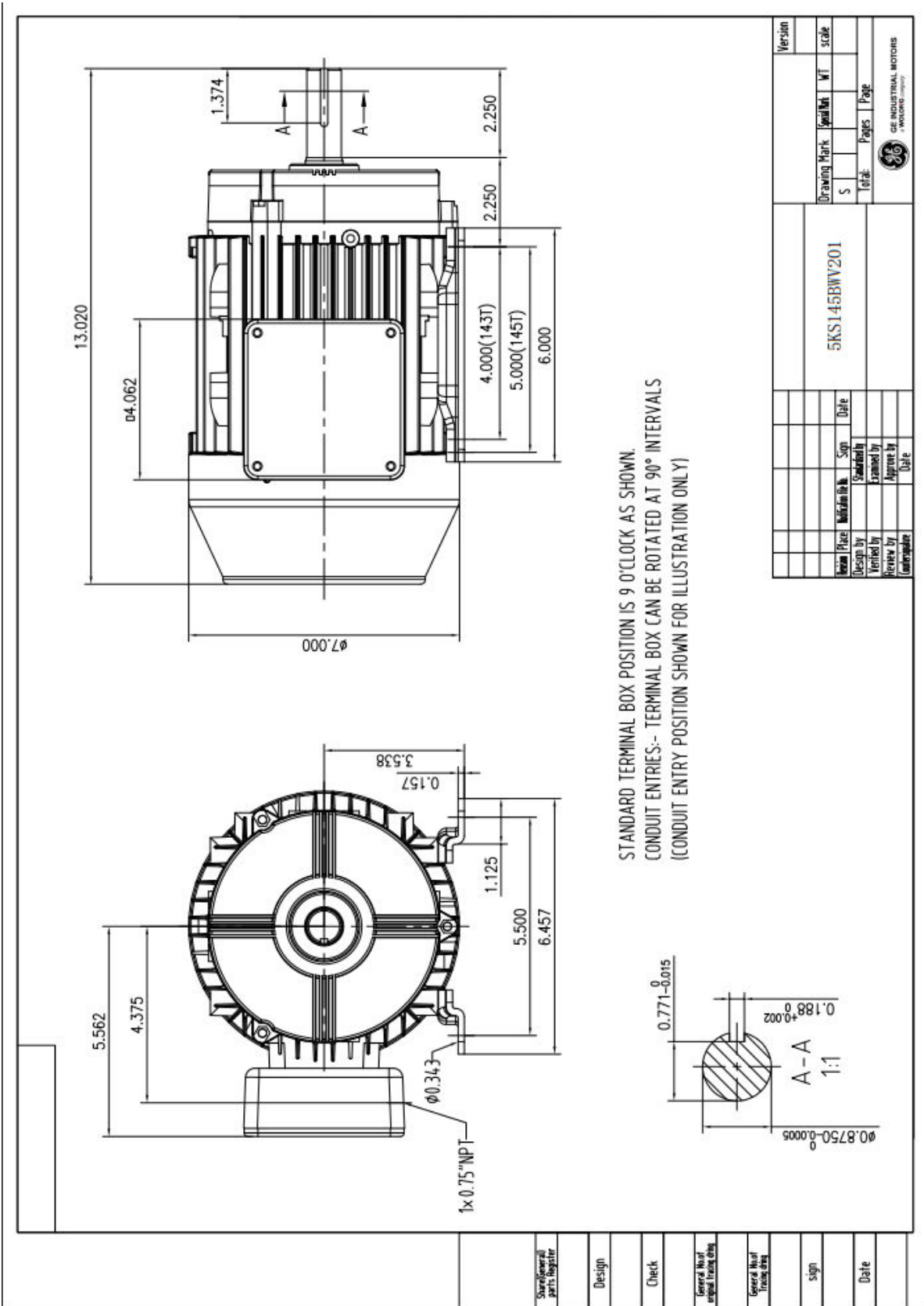
TORQUE(FL) LB-FT 6.00 TORQUE(LR)%FL 310 TORQUE(BD)%FL 380
 AMPS(LR 460V) 16.52 PF AT START

Other Useful Information for Application:

Rotor Inertia: Lb-Ft ² (Kg-m ²):	0.0046(0.0034)
Max load inertia: Lb-Ft ² (Kg-m ²):	
Load Type:	Square Torque/Speed Characteristic
Voltage:	
Number of starts per hour:	2 Cold or 1 Hot
Acceleration Time with maximum inertia (sec):	
Safe stall time (sec): Cold/Hot	43/17

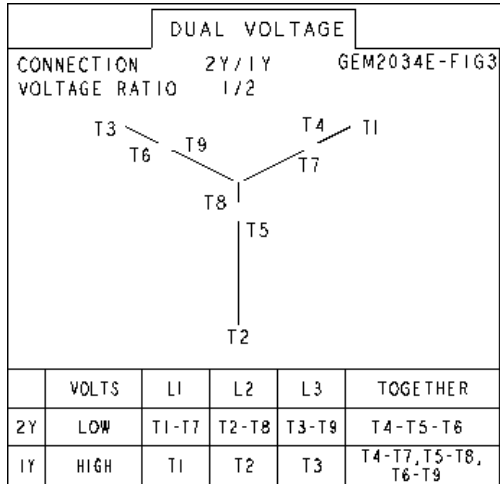


Place GE's Outline drawing



Marks:

Connection Diagram
GEM2034E-FIG3



Thermistor Connection
235A3027VD

