



**GE INDUSTRIAL MOTORS**  
a **WOLONG** company

# Product Information Packet

July 20, 2023

Data shown is for the current revision model #. Ensure your nameplate model # matches.

<b>Model Number:</b>	<b>5KS143BWV205</b>
<b>Catalog Number:</b>	<b>WV000</b>
<b>Instruction Manual:</b>	
<b>Connection Diagram:</b>	
<b>Outline Drawing:</b>	

<b>Accessory Connection Diagrams</b>			
<b>Bearing Thermocouple:</b>	None	<b>Heater:</b>	None
<b>RTD:</b>	None	<b>Thermistor:</b>	None
<b>Thermostat:</b>	None	<b>Winding Thermocouple:</b>	None
<b>Bearing RTD:</b>	None		

## Table of Contents

Specification	01
Performance Characteristics	02
Outline Drawing	03
Connection Drawing(s)	04

**Marks:**

<b>MODEL NUMBER:</b>	5KS143BWV205	<b>Estimated Weight:</b>	40 Lbs
<b>Outline Drawing:</b>		<b>Time Rating:</b>	S1
<b>Connection Diagram:</b>		<b>Enclosure:</b>	TEFC
<b>Instruction Book:</b>		<b>Encl Construction:</b>	<b>GP</b>
<b>Design Code:</b>	B	<b>Ambient Max(°C):</b>	40
<b>Type:</b>	KS	<b>Alt Ambient Max(°C):</b>	40
<b>Frame:</b>	143T	<b>Insulation Class:</b>	F
<b>Phases:</b>	3	<b>NEMA Design:</b>	B
<b>Poles:</b>	4	<b>Nominal Efficiency:</b>	85.5 %
<b>Output Power:</b>	1HP	<b>Guaranteed Efficiency:</b>	82.5 %
<b>RPM:</b>	1750	<b>3/4 Load Efficiency:</b>	85.1 %
<b>Voltage:</b>	230/460	<b>KVA Code:</b>	K
<b>Hertz:</b>	60	<b>Max KVAR:</b>	
<b>Amps - FL:</b>	2.86/1.43	<b>Power Factor:</b>	77%
<b>Service Factor:</b>	1.25@60Hz	<b>Bearing - DE:</b>	6205-ZZC3
<b>Alt Service Factor:</b>	1.0	<b>Bearing - ODE:</b>	6203-ZZC3

Enclosure is Totally Enclosed Fan-Cooled

---

**Stamped Nameplate Notes:****Additional Information:**

ROTATION:CCW VIEWED FROM DE



**Performance Characteristics**

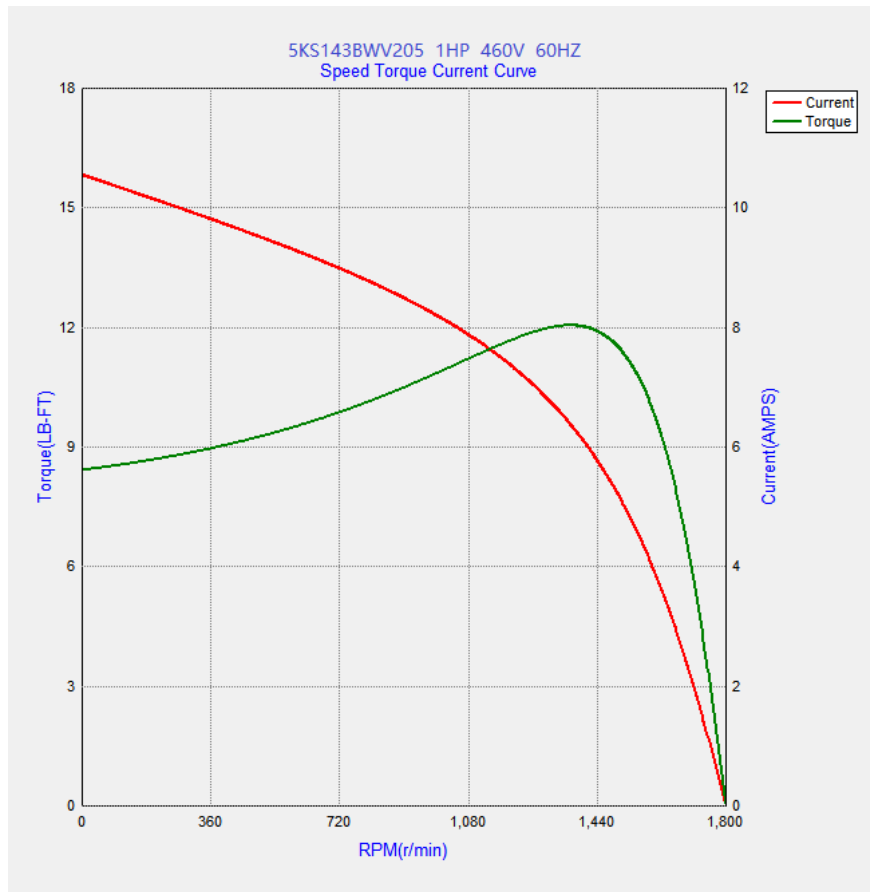
**Marks:**

LOAD %	150.0	125.0	100.0	75.0	50.0	25.0
% EFF	84.40	85.19	85.51	85.11	83.11	75.80
% PF	83.11	81.42	77.16	70.26	57.18	36.83
AMPS(460V)	2.02	1.70	1.43	1.19	0.99	0.85

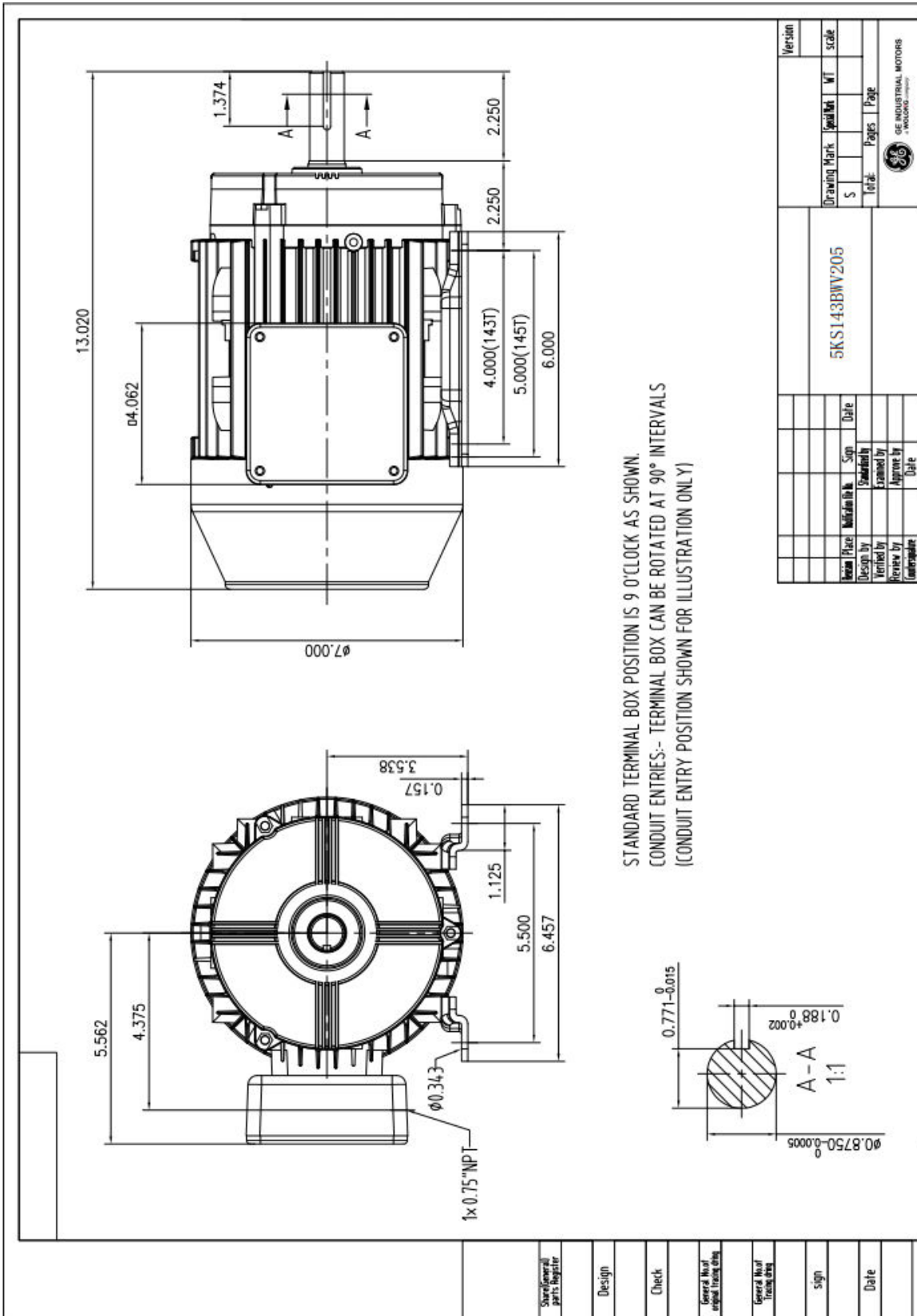
TORQUE(FL) LB-FT      4.09    TORQUE(LR)%FL      275    TORQUE(BD)%FL      300  
 AMPS(LR 460V)      11.04    PF AT START

**Other Useful Information for Application:**

Rotor Inertia: Lb-Ft <sup>2</sup> (Kg-m <sup>2</sup> ):	0.0031(0.0023)
Max load inertia: Lb-Ft <sup>2</sup> (Kg-m <sup>2</sup> ):	
Load Type:	Square Torque/Speed Characteristic
Voltage:	
Number of starts per hour:	2 Cold or 1 Hot
Acceleration Time with maximum inertia (sec):	
Safe stall time (sec): Cold/Hot	61/25

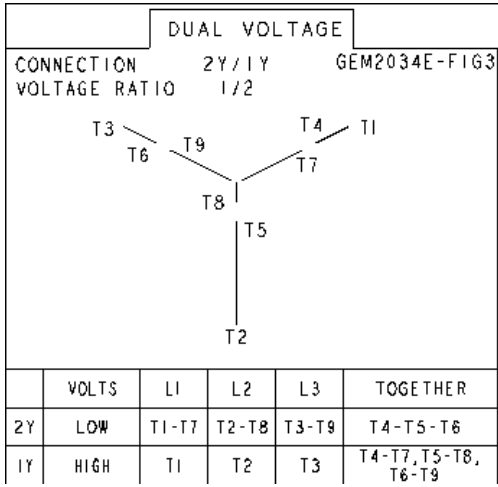


# Place GE's Outline drawing



**Marks:**

**Connection Diagram**  
**GEM2034E-FIG3**



**Thermistor Connection**  
**235A3027VD**

