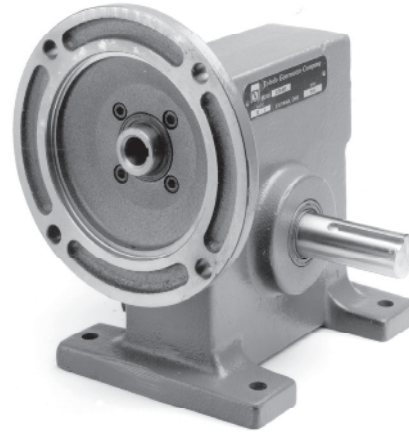


RIGHT ANGLE GEAR REDUCERS

C70 HS

HS Style Structural & Design Features:

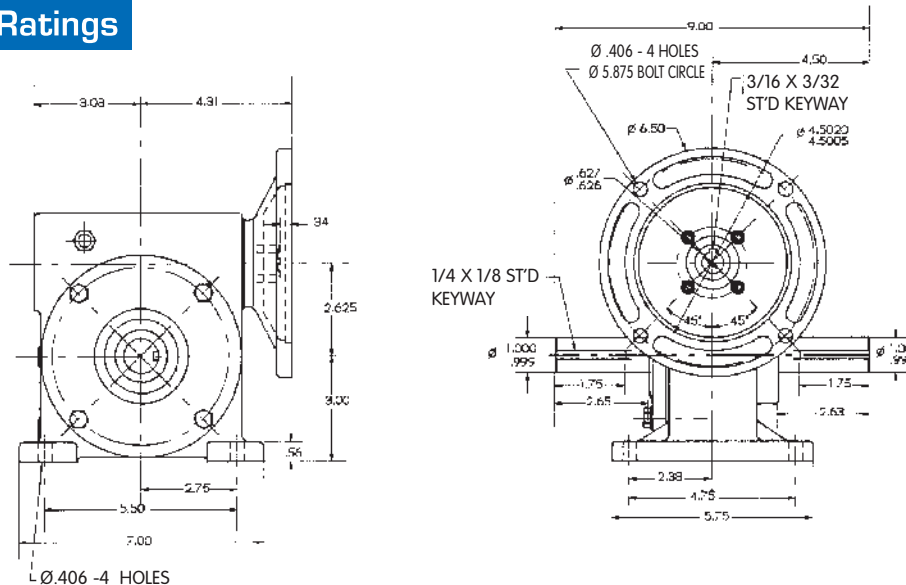
- Right Angle Worm-Gear Reducer
- Forged Manganese Bronze Worm-Gear
- Induction Hardened, Ground and Polished Worm
- Annealed Cast Iron Housing, Precision Machined for Accurate Shaft Alignment
- Ball Bearings on Input Shaft Front and Back
- Tapered Roller Bearings on Output Shaft
- High-Strength, Heat Treated Input and Output Shafts
- Flange for Face-Mounting NEMA 56C Frame Motor



Output Options:

- Available with 3 Shaft Extensions - L, B, R

Dimensions and Ratings

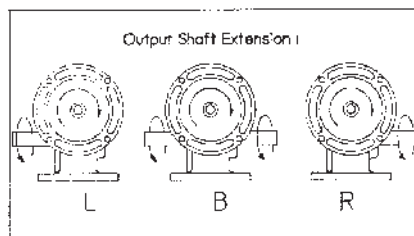


RATIO	10	12	20	24	30	40	48	60
OUTPUT SPEED, RPM	172.5	143.7	86.25	71.87	57.5	43.13	35.94	28.75
HP IN	3.36	2.96	2.00	1.72	1.45	1.15	0.99	0.80
HP OUT	3.06	2.65	1.69	1.42	1.14	0.84	0.69	0.52
TORQUE OUT, IN.-LBS.	1119	1164	1236	1243	1248	1235	1208	1138

Overhung Load on Output Shaft, 850 lbs. at 1.25 in. from Housing or Output Cap
 All data is for a Service Factor of 1 at 1725 RPM input speed



Toledo Gearmotor



To order Indicate Model, Output Shaft Extension and Ratio, as shown below

